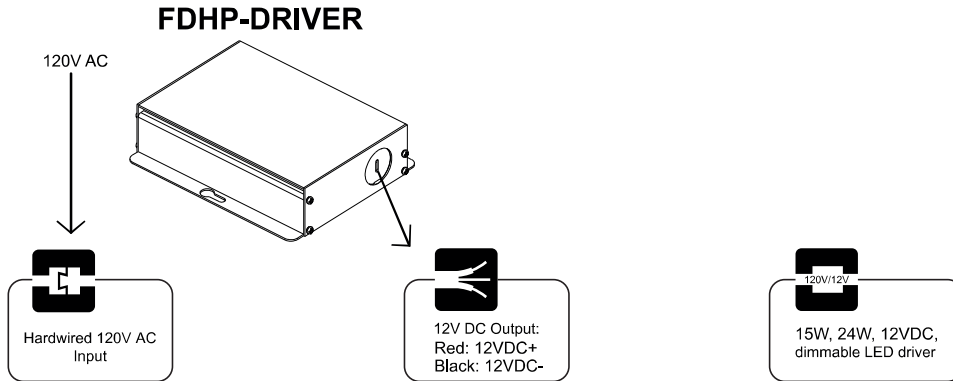


IMPORTANT SAFETY INSTRUCTIONS **SAVE THESE INSTRUCTIONS**

This manual contains important safety and operating instructions for power units
READ AND FOLLOW ALL SAFETY INSTRUCTIONS

-WARNING- Reference the National Electrical Code, specifically for the installation of wiring and clearances from power and lighting conductors. Installation work and electrical wiring must be done by qualified person(s) in accordance with all applicable codes and standards, including fire-rated construction. Risk of Fire. Installation involves special wiring methods to run wiring through a building structure. Consult a qualified electrician. Mount the unit at a height greater than 1 foot from the ground surface.



20 to 100% dimmable

For recommended dimming, the driver requires a minimal load of half of its total capacity. Drivers are dimmable with most regular low voltage electronic dimmers.

<p style="font-size: 2em; font-weight: bold; margin-bottom: 0;">1</p> <p style="text-align: right; margin-right: 50px;">Knock out</p> <p>Open the cover to the make connections. Remove the appropriate knock out for your installation.</p>	<p style="font-size: 2em; font-weight: bold; margin-bottom: 0;">3</p> <p>Yellow green wire Power supply Conduit fittings-(By others) Black wire White wire</p> <p>12V DC Cable to fixture Red: 12VDC+ Black: 12VDC-</p> <p>Install the included strain relief bushing in the appropriate hole then push the wires through the connector. Make connections in the compartment: match the white wire from the line feed with the white wire from the LED driver, match the black wire from the line feed with the black wire from the LED driver with the included wire connectors, match the copper wire from the line feed with the green wire from the LED driver</p>
<p style="font-size: 2em; font-weight: bold; margin-bottom: 0;">2</p> <p>Unshield 3" (7.5cm) and strip 3/8" (1 cm). Line feed wire</p> <p>Unshield the line feed wire 3" (7.5cm) and strip wires 3/8" (1 cm).</p>	<p style="font-size: 2em; font-weight: bold; margin-bottom: 0;">4</p> <p>12V DC</p> <p>Close the cover, then connect the fixture to the output wire where red wire is (12VDC+) & black wire is 12VDC-</p>

Installation instructions



WARNING - BEFORE STARTING INSTALLATION, SHUT THE LINE FEED POWER OFF USING THE CIRCUIT BREAKER. - WARNING

