

LED Wall Pack (Glass Lens)



FEATURES & SPECIFICATIONS

INTENDED USE

The energy savings, long life and easy-to-install design of the WPM Series Lights make it the smart choice for building-mounted for nearly any facility.

CONSTRUCTION

Heavy-duty cast aluminum housing; rust and corrosion proof; polyester powder coating housing through conductive and convective cooling.

Housing is completely sealed against moisture and environmental contaminants .

FINISH

Dark bronze or white finish. A tightly controlled multi-stage process ensures minimum 3 mils the thickness for a finish that can withstand extreme climate change without cracking or peeling. Available in textured and non-textured finishes.

OPTICS

Precision-molded proprietary glass lenses provide multiple photometric distributions tailored specifically to building mounted applications .Light engines are available in 4000k(80min.CRI) or 5000 K (80 CRI) configurations.

ELECTRICAL SYSTEM

Input Voltage: 120-277V or 347-480V, 50/60Hz ,Class 2 Driver

Power Factor: >0.87 at full load

Total Harmonic Distortion:<20% at full load

Integral 4kV surge suppression protection standard

INSTALLATION

Backup Fast installation model , for quick and easy installation .

LISTINGS

ETL (CETL) certified to U.S and Canadian standards . Rated for -35°C minimum ambient DesignLights Consortium (DLC) qualified product. Not all versions of this product may be DLC qualified . Please check the DLC Qualified Products List at www.designlights.org to confirm which versions are qualified.

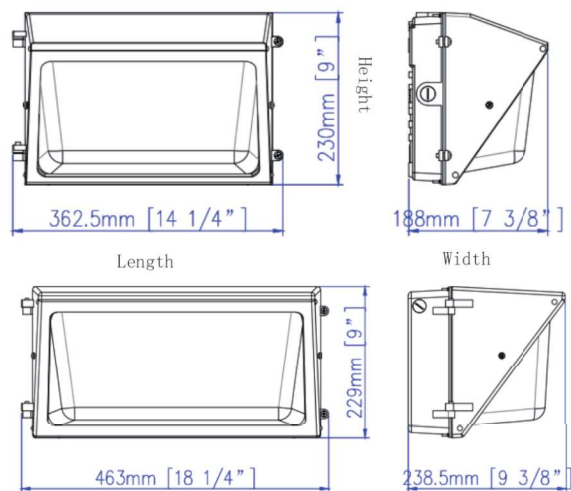
WARRANTY

Five year limited warranty.

Note: Actual performance may differ as a result of end-user environment and application. All values are design or typical values, measured under laboratory conditions at 25 °C. Specifications subject to change without notice .



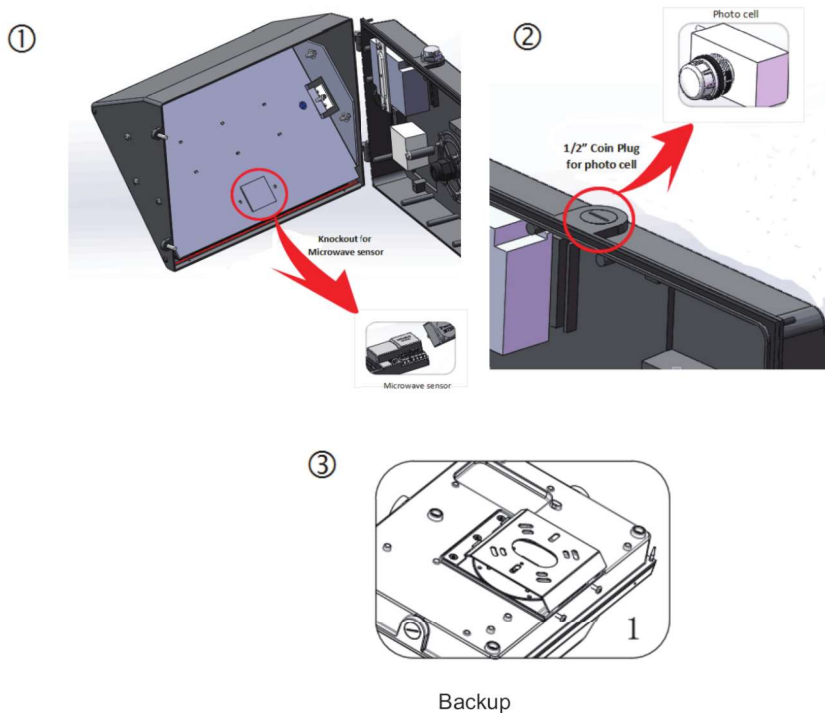
DIMENSIONS



DIMENSION TABLE

Luminaire	Width	Length	Height	Weight (lbs.)
40W	7-3/8" (188mm)	14-1/4" (362.5mm)	9" (230mm)	9.98 (4.53 kgs.)
60W	7-3/8" (188mm)	14-1/4" (362.5mm)	9" (230mm)	10.00 (4.54 kgs.)
90W	9-3/8" (238.5mm)	18-1/4" (463mm)	9" (229mm)	14.99(6.80 kgs.)
120W	9-3/8" (238.5mm)	18-1/4" (463mm)	9" (229mm)	16.53(7.50 kgs.)

Advantage



PHOTOMETRICS

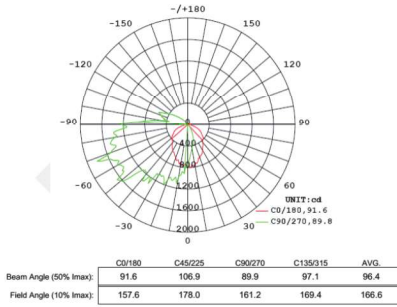
All published luminaire photometric testing performed to IESNA LM-79 standards by a certified laboratory.



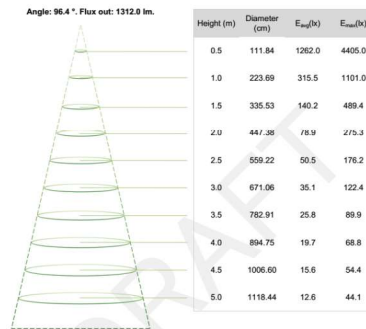
Photometric Measurement

Luminous Flux (lm)(total)	Efficacy (lm/W)(total)	Luminous Flux (lm)(0-90° zone)	Efficacy (lm/W)(0-90° zone)	I _{max} (cd)	S/MH (C0/180)	S/MH (C90/270)
4845.64	111.91	4061.4	93.80	2007.0	1.19	0.60

Luminous Intensity Distribution



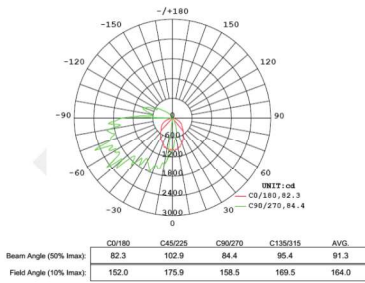
Average Area Illumination Figure



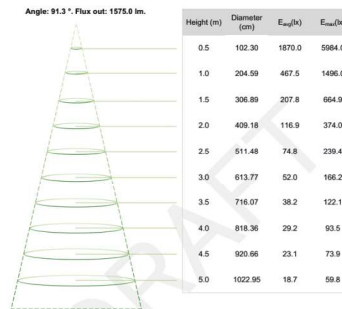
Photometric Measurement

Luminous Flux (lm)(total)	Efficacy (lm/W)(total)	Luminous Flux (lm)(0-90° zone)	Efficacy (lm/W)(0-90° zone)	I _{max} (cd)	S/MH (C0/180)	S/MH (C90/270)
6430.12	115.86	5345.4	96.31	2710.0	1.21	0.60

Luminous Intensity Distribution



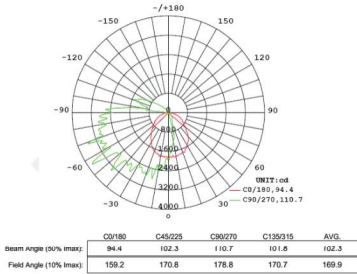
Average Area Illumination Figure



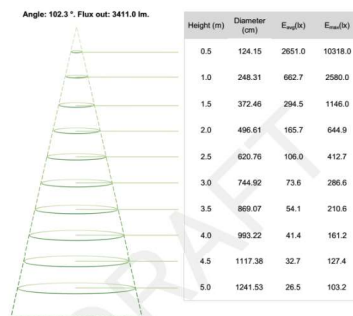
Photometric Measurement

Luminous Flux (lm)(total)	Efficacy (lm/W)(total)	Luminous Flux (lm)(0-90° zone)	Efficacy (lm/W)(0-90° zone)	I _{max} (cd)	S/MH (C0/180)	S/MH (C90/270)
9766.15	113.88	7978.8	93.04	3686.0	1.25	0.48

Luminous Intensity Distribution



Average Area Illumination Figure



More optic photometrics , pls contact our sales or service .

Performance Data

Lumen Ambient Temperature (LAT) Multipliers

Use these factors to determine relative lumen output for average ambient temperatures from 0-40°C (32-104°F).

Ambient		Lumen Multiplier
0°C	32°F	1.12
10°C	50°F	1.11
20°C	68°F	1.11
25°C	77°F	1.05
30°C	86°F	1.01
40°C	104°F	1.00
50°C		0.98

Projected LED Lumen Maintenance

Data references the extrapolated performance projections for the HC WallPack LED Lights platform in a 25°C ambient, based on 10,000 hours of LED testing (tested per IESNA LM-80-08 and projected per IESNA TM-21-11).

To calculate LLF, use the lumen maintenance factor that corresponds to the desired number of operating hours below. For other lumen maintenance values, contact factory.

Operating Hours	0	25,000	50,000	100,000
Lumen Maintenance Factor	1.0	0.90	0.87	0.80

Typical Specification

Products		FDWPH-40-LED-5K-XXXX				FDWPH-60-LED-5K-XXXX				FDWPH-90-LED-5K-XXXX		FDWPH-120-LED-5K-XXXX	
Item No.	Specification	3985+-275K	5028+-283K	3985+-275K	5028+-283K	3985+-275K	5028+-283K	3985+-275K	5028+-283K	3985+-275K	5028+-283K	3985+-275K	5028+-283K
General Performance	CCT	3985+-275K	5028+-283K	3985+-275K	5028+-283K	3985+-275K	5028+-283K	3985+-275K	5028+-283K	3985+-275K	5028+-283K	3985+-275K	5028+-283K
	Input Voltage	120/277V	120/277V	347V	347V	120/277V	120/277V	347V	347V	120/277V	120/277V	120/277V	120/277V
	Input Wattage	40.64	43.3	42.87	44.2	56.18	55.5	58.4	58	89.91	85.76	120.14	112.1
	Initial Lumens	4781.04	4845.64	4143.7	4397.507	6226.02	6430.12	5418.2	5527.972	10029.2	9766.15	13413.43	13313.9
	Efficacy	117.64	111.91	96.7	99.5	110.82	115.86	92.778	95.31	111.55	113.88	111.65	118.74
	CRI	≥70		≥70		≥70		≥70		≥70		≥70	
	Power Factor	>0.87		>0.87		>0.87		>0.87		>0.87		>0.87	
	THD	≤20%+5% Tolerance		≤20%+5% Tolerance		≤20%+5% Tolerance		≤20%+5% Tolerance		≤20%+5% Tolerance		≤20%+5% Tolerance	
	Driver Type	Constant Current / Class 2		Constant Current / Class 2		Constant Current / Class 2		Constant Current / Class 2		Constant Current / Class 2		Constant Current / Class 2	
	Surge Protector	4KV		4KV		4KV		4KV		4KV		4KV	
Luminaire Life	50,000 Hours		50,000 Hours		50,000 Hours		50,000 Hours		50,000 Hours		50,000 Hours		
Feature	Driver	1-10V		1-10V		1-10V		1-10V		1-10V		1-10V	
	Photo Control	Compatible		Compatible		Compatible		Compatible		Compatible		Compatible	
	Microwave Sensor	Compatible		Compatible		Compatible		Compatible		Compatible		Compatible	
Operation Condition	Operating Temperature	-30°F ~ +130°F		-30°F ~ +130°F		-30°F ~ +130°F		-30°F ~ +130°F		-30°F ~ +130°F		-30°F ~ +130°F	
	Humidity	≤95%		≤95%		≤95%		≤95%		≤95%		≤95%	

1 DesignLights Consortium (DLC) qualified product. Not all versions of this product may be DLC qualified. Please check the DLC Qualified Products List at www.designlights.org to confirm which versions are qualified.

2 Specifications subject to change without notice. All values are design or typical values, measured under laboratory conditions at 25 °C. Actual performance may differ as a result of end-user environment and application.

† System input wattage may vary based on input voltage, by up to +/- 10%, and based on manufacturer forward voltage, by up to +/- 8%.

Ordering Information

100119 FDWPH-40-LED-5K-120M-D
100120 FDWPH-40-LED-5K-347V-D

100123 FDWPH-60-LED-5K-120M-D
100124 FDWPH-60-LED-5K-347V-D

100127 FDWPH-90-LED-5K-120M-D
100128 FDWPH-90-LED-5K-347V-D

† contact the sales for warranty terms.