



100 Shields Court, Unit B
Markham, Ontario
Canada, L3R 9T5



LED Highbay UFO D-Series



Factory Direct Lighting(2020) Ltd
100 Shields Court Unit B, Markham, ON, L3R 9T5, Canada | 1-855-533-0743 | 905-944-1210
www.fdlighting.ca

LED Highbay UFO D-Series

FDUFO-DS-150W-5K-120M-D

LED Highbay UFO D-Series, 150 watts, 5000K, 22500 lms, Dimming 0-10V, 9ft Power Cord, 120M

FDUFO-DS-150W-5K-347V-D

LED Highbay UFO D-Series, 150 watts, 5000K, 22500 lms, Dimming 0-10V, 9ft Power Cord, 347V

Specifications

Optical Data

High Lumen Version

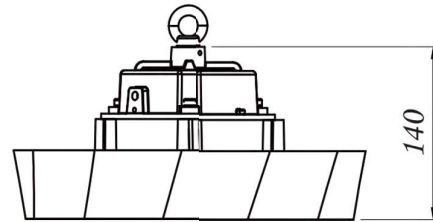
Wattage	150W
LED Type	Seoul
Efficiency	150 lm/W
Lumen Output	22500 lms

CCT	5000K
Beam Angle	60°, 90°, 120°
CRI	>80Ra
System Efficiency	>90%



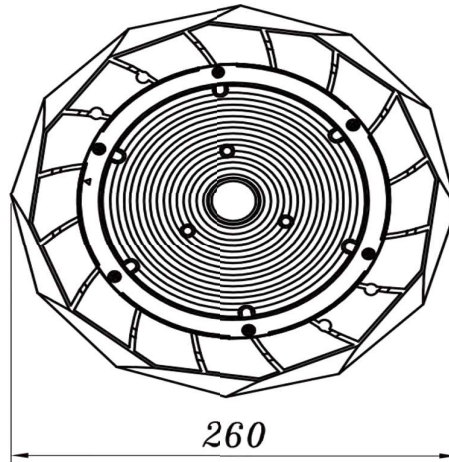
Others

IP&IK Rating	IP65 & IK08
Lifetime(L70 Standard)	50,000 hours
Heat Radiator	die-cast aluminum
Lens Material	PC/Glass
Carton Dimensions	L310mm*W310mm*H175mm
Gross Weight	3.2kg
Fixture Dimension	∅260xH140mm
Net Weight	2.2kg



Electrical Data

PowerSupply	Sosen
Power Cord	9 Ft.
Input Voltage	AC100-277V
Dimming	0 - 10V
Power Frequency	50/60Hz
Output Voltage	DC180-260V
Power Efficiency	>95%
Power Factor	0.93
Total Harmonic Distortion	<15%
Operating Temperature	(-30~+50°C)



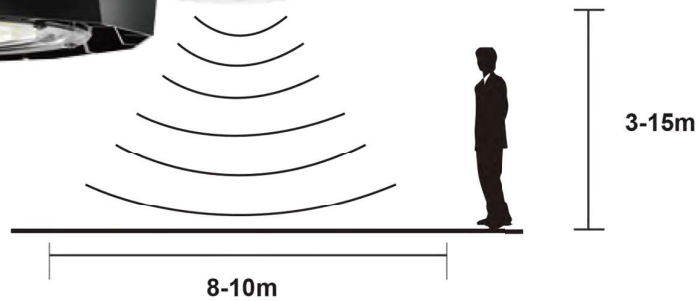
**Perfect lighting for factory warehouses,
superstores, exhibition centres, and
production houses...e.t.c**



150 Lm/W

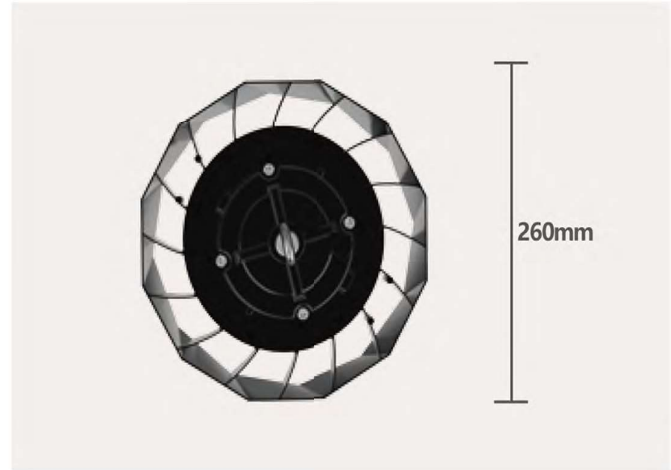


**Microwave Motion Sensor
(sold separately)**

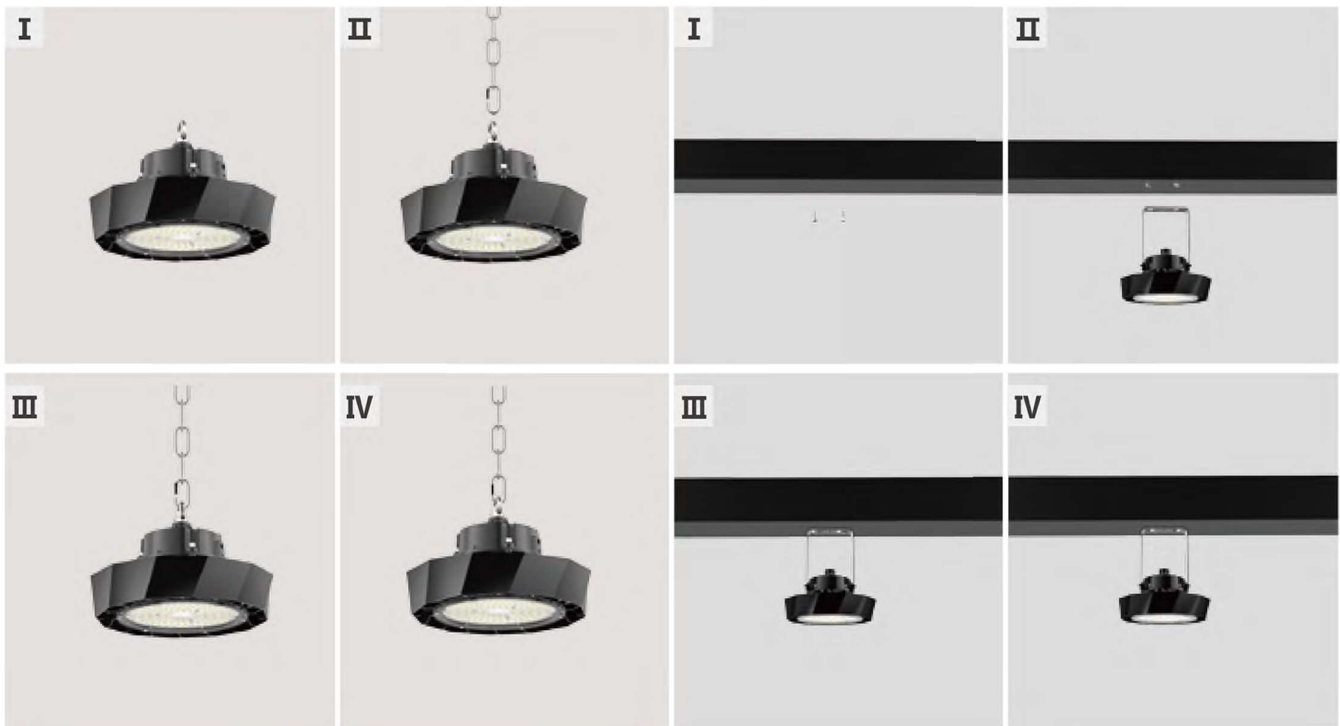


- 
On/off control
- 
Stand-by dimming level
- 
Detection area
- 
Hold time
- 
Daylight sensor
- 
Stand-by period
- 
Remote control setting
- 
10-15M Highbay altitude

Dimmension



Optional Installation



Rotary bracket with 160° rotatable

