

# LED RUNNING MAN EDGE-LIT SIGN



**Factory Direct Lighting**  
 100 Shields Court, Markham,  
 ON Canada L3R 9T5  
 Tel: 905-944-1210 • 1-855-533-0743  
 Toll Fax: 1-855-533-3294  
<https://www.fdlighting.ca/>

## FDRMN-200-Exit-Edge-lit

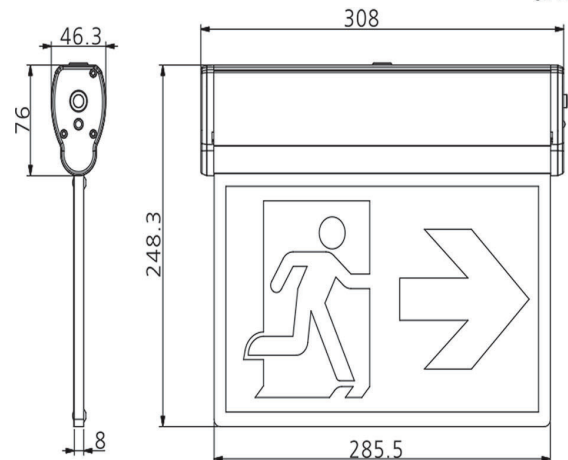
LED Running Man, 3.5W Super Bright Edge-Lit Exit Sign, with Battery backup Combo, 120/347V



### FEATURE

- Aluminum housing with high grade acrylic panel.
- Innovative, easy installation in minutes.
- Plastic mounting plate allows top, back or end mount.
- 127/347V dual voltage.
- Super bright GREEN LED lamps.
- Built-in 4.8V400mAh Nickel cadmium battery for minimum 90 minutes emergency operation.  
Maximum 24 hours for full recharge time.
- Test switch and charge indicator.
- Removable front cover for easy installation and battery maintenance.
- CSA listed.
- 0° to 40° C indoor damp location listed.
- Five years warranty for the electrical parts and housing.
- Three years warranty for battery.

unit: mm



### PACKING INFORMATION

MODEL NO.	PACKING INFORMATION	WEIGHTS
FDRMN-200-Exit-Edge-lit	45x35x25cm/6pcs	9.0/8.0kgs

### ELECTRICAL INFORMATION

MODEL	RATED VOLTAGE	INPUT CURRENT	INPUT WATT	LED TYPE	CHARGING TIME	EMERGENCY RUN TIME
FDRMN-200-Exit-Edge-lit	120/347V	0.22/0.26A	3.5W max	Super bright GREEN LED LAMPS	24 Hrs	90 Mins