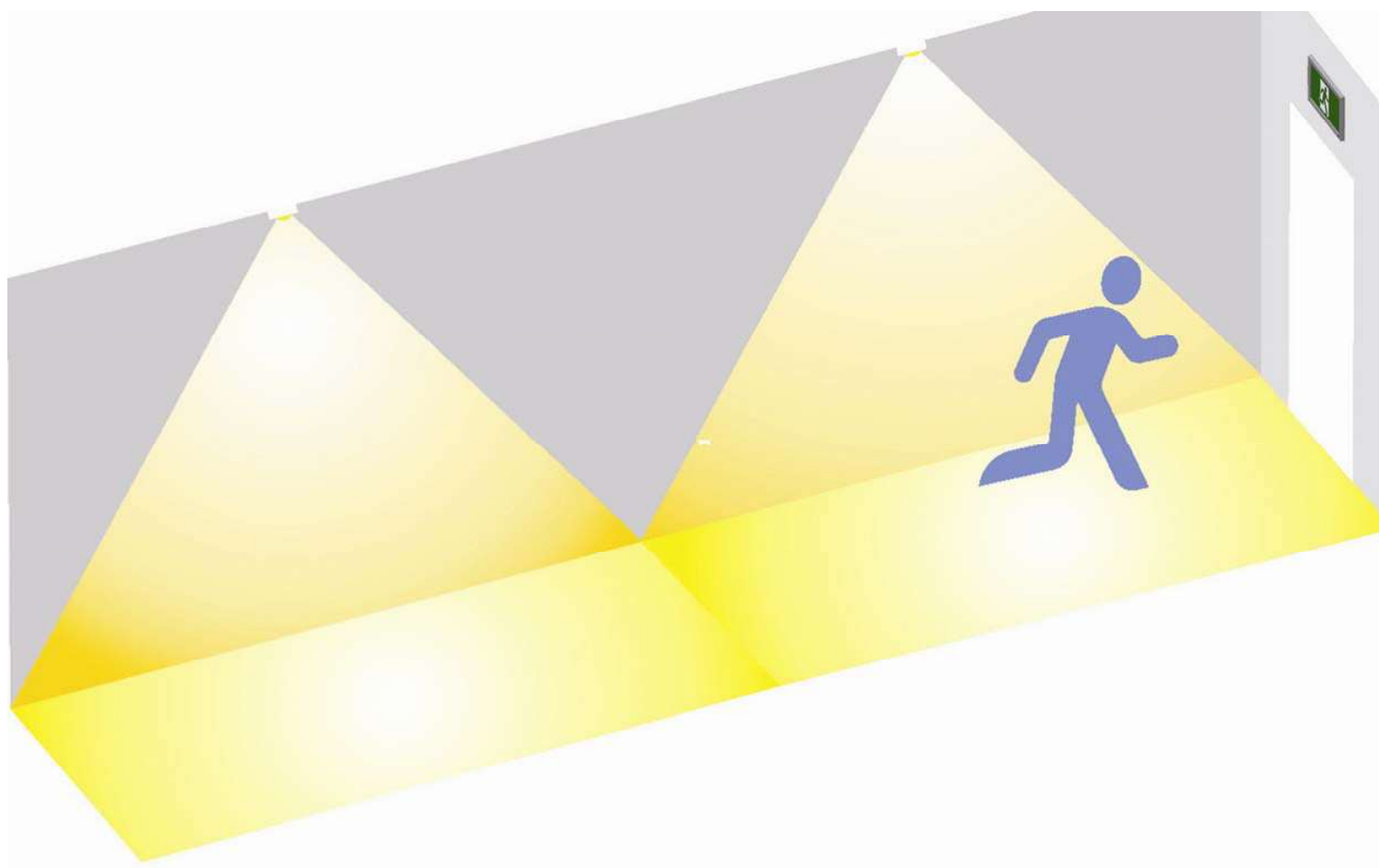


SPECIFICATION SHEET FOR LED EXIT SIGN AND EMERGENCY LIGHTING COMBO

FDRM-100/180 Series



Factory Direct Lighting
100 Shields Court, Markham, ON Canada L3R 9T5
Tel: 905-944-1210 • 1-855-533-0743 | Toll Fax: 1-855-533-3294
<http://www.factorydirectlighting.ca>

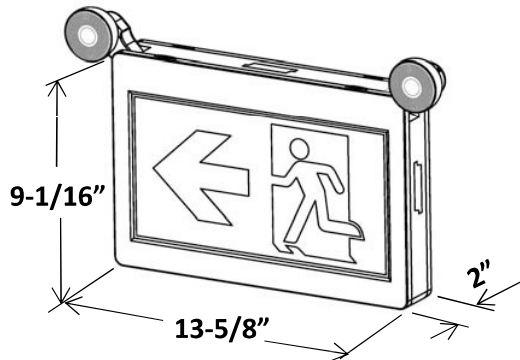
Product Shape and Dimension



FDRM-100-EXIT



FDRM-180-EXIT-C



Order Guide

Family	Face	Letter color	Lumen Output & Remote Capability	Housing Color
FDRM	100: Exit sign 180: Combo	Blank: Battery backup with 90 min. duration UDC: AC/DC input (only for 100)	Blank: w/o remote capability 2RC: 3.6V 2W remote capability (only for 180) 4RC: 3.6V 4W remote capability (only for 180) HO: High lumen output, w/o remote capability (only for 180) HO2RC: High lumen output, 3.6V 2W remote capability (only for 180)	W: White

Product Feature

Housing

- Injec on-molded thermoplas c ABS housing.
- Plas c enclosure with 5VA flame retardant.
- Two fully adjustable glare-free round shape light heads for emergency light.
- Single and double face universal.
- Eas y replacement pictogram design.

Electrical

- 120/347VAC Dual voltage operation.
- Test switch and charge LED indicator.
- 3.6V long-life, maintenance-free, rechargeable Ni-Cad/Ni-MH battery.
- SMD 1W or 2W high power LED, CCT 6000K for emergency lamp heads.
- SMD 2835 LED, CCT 6000K for LED escape sign.
- Min. 90 minutes discharge after charge battery 24hours.

Illumination

- 1W per lamp head fixture provide 150lm output.
- 2W per lamp head fixture provide 250lm output.

Mounting

- Suitable for wall mounting, ceiling mounting and side mounting.
- Housing snaps to canopy with simple twist and locking tightly secure housing to canopy.

Options

- 2W remote capability and 4W remote capability available.
- AC&DC(UDC type) input fixture available.

Warranty / Listing

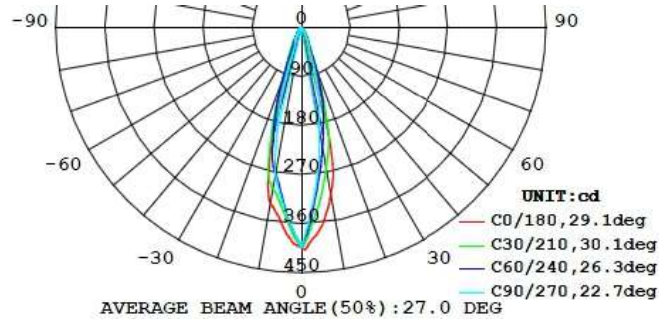
- 3 Year Warranty for fixture, battery has 500 recycle times lifetime.
- Suitable for use in -25°C- 45°C ambient temperature
- Damp Location
- cULus

Model List and Electrical Rating

N o.	Model	Test facility	Battery	Input			Output			
				Voltage	Hz	Charge time	Lamp Head	Discharge time	Luminous Flux	Remote capability
1	FDRM-100-EXIT	Manual test	Ni-cad 3.6V600mA *1pc	120/347VAC	60	24hours	-	90 minutes	-	-
2	FDRM-180-EXIT-C	Manual test	Ni-cad 3.6V1000mA *1pc	120/347VAC	60	24hours	1W*2pcs	90 minutes	150 lm	-

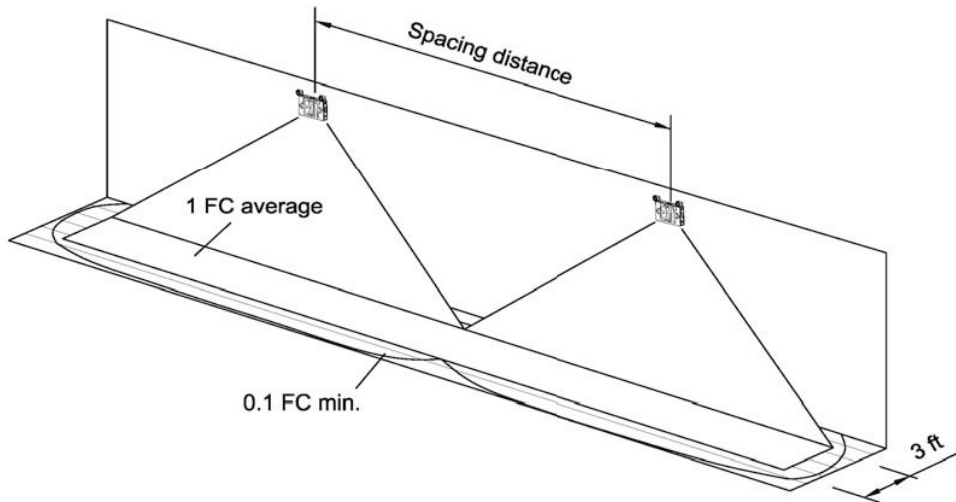
Photometric

Luminous intensity distribution



Center to Center Spacing

NFPA 101 requires 1.0 foot-candle average and 0.1 foot-candle minimum with a 40:1 maximum/minimum ratio. The corridor used is 100 feet long, 9 feet ceiling with a 6 feet wide walkway and 3 feet path of egress. The reflectance are 80% ceiling, 50% walls and 20% floors. The fixture mounting height is 7.5 feet.



No.	Model	Center to Center Spacing	Lumen output
1	FDRM-180-EXIT-C	16 feet	150 lm