

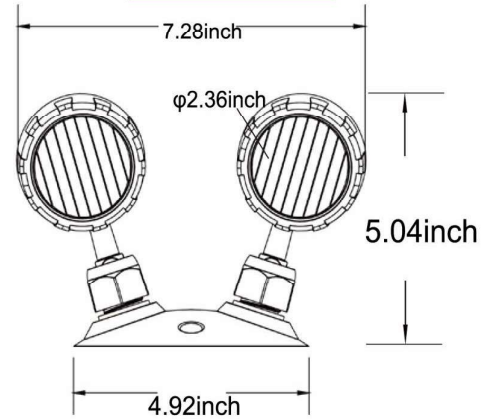
# LED Emergency Remote Light, 2-Heads



**The Double led remote head is constructed of high impact thermoplastic. A tool-less mechanically adjustable swivel locks the head in position once adjusted.**

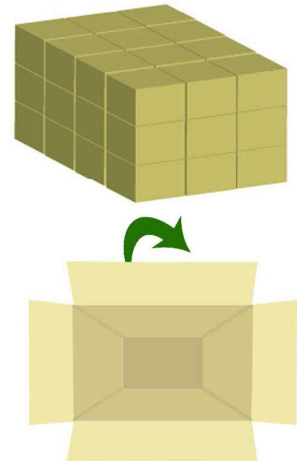


### Dimension



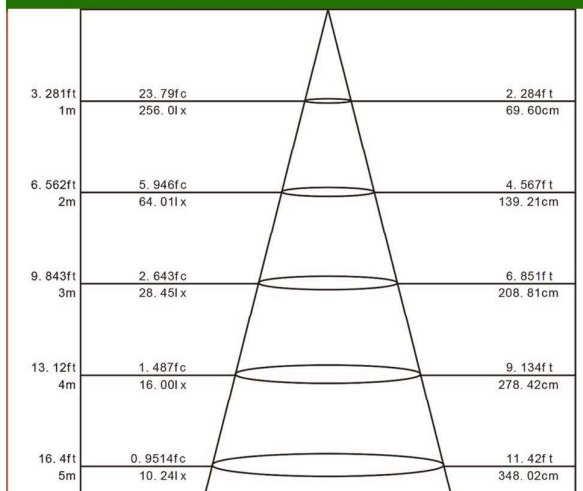
### Features and Specifications:

- Injection-molded thermoplastic ABS housing
- UL-94V-0 flame rating, fire-retardant
- Wall and ceiling mounting
- Universal voltage LED remote compatible with any emergency lighting system (3.6-24VDC)
- Super bright SMD LED 2\*2W 2\*130lm
- Suitable for damp locations
- cULus listed



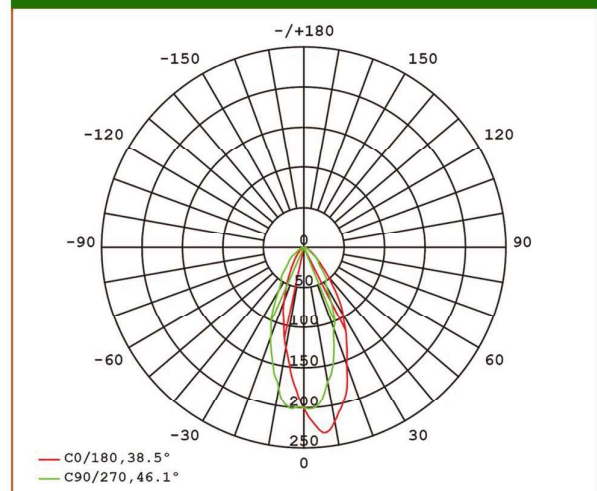
**Shipping Carton  
36pcs each**

### Illuminance (at a distance)



HT EAVG/EMAX ANGLE:38.38DEG DIA

### Luminous Intensity Distribution Diagram



AVERAGE BEAM ANGLE(50%): 42.3 DEG