

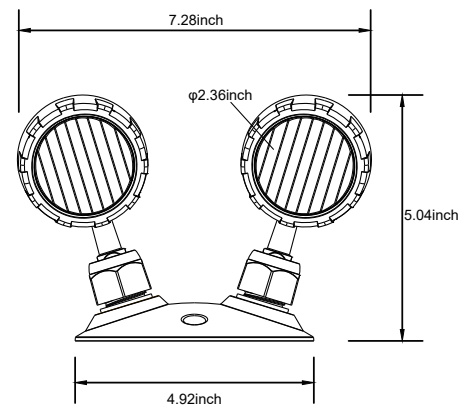
LED Emergency Remote Light, 2-Heads



LED Emergency Remote Light is constructed of high impact thermoplastic. A tool-less mechanically adjustable swivel locks the head in position once adjusted.



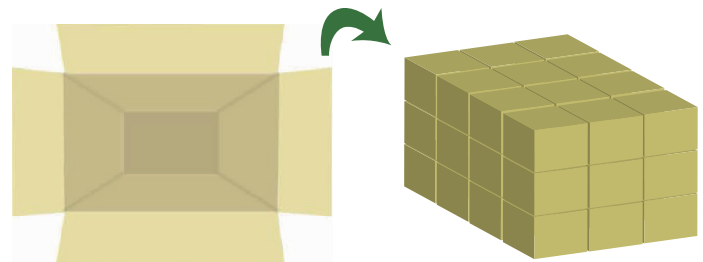
Dimension



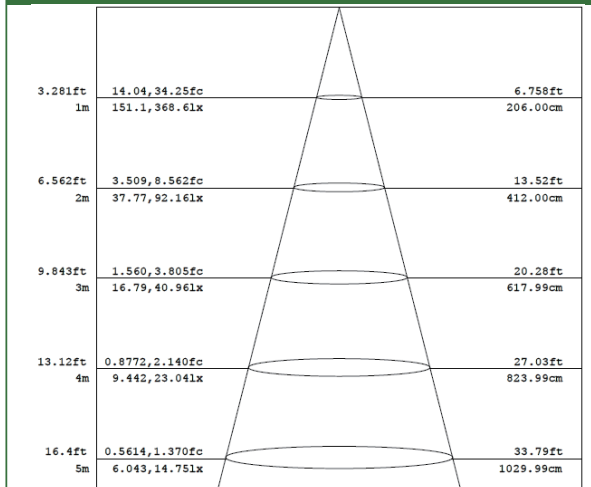
Features and Specifications:

- Injection-molded thermoplastic ABS housing
- UL-94V-0 flame rating, fire-retardant
- Wall and ceiling mounting
- Universal voltage LED remote compatible
- with any emergency lighting system(5-24VDC)
- Super bright SMD LED 2*5W, 2*350lm
- Suitable for damp locations
- cULus listed

Shipping Carton 36pcs each

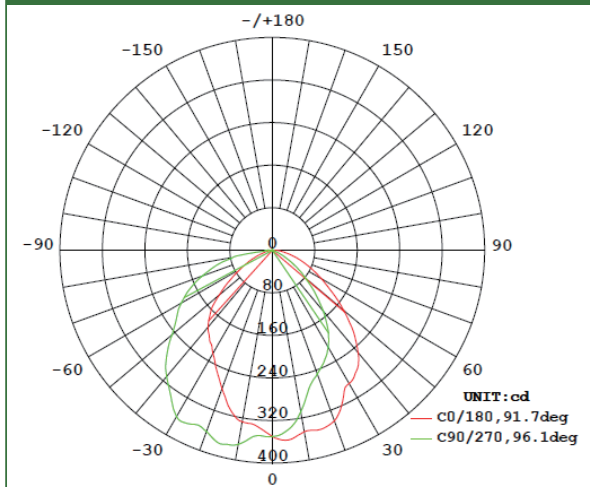


Illuminance (at a distance)



HT EAVG/EMAX ANGLE: 91.69 DEG DIA

Luminous Intensity Distribution Diagram



AVERAGE BEAM ANGLE(50%): 93.9 DEG