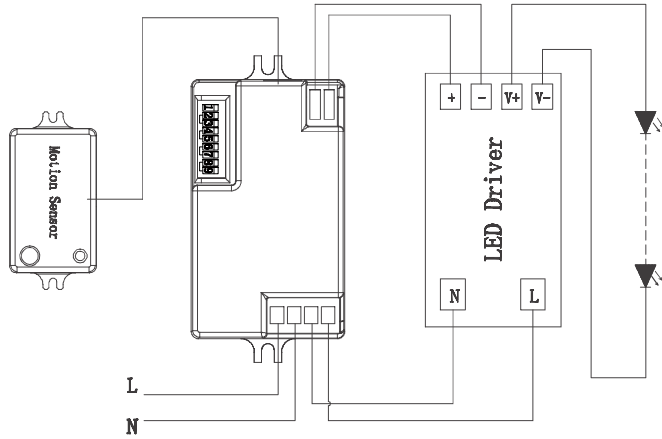
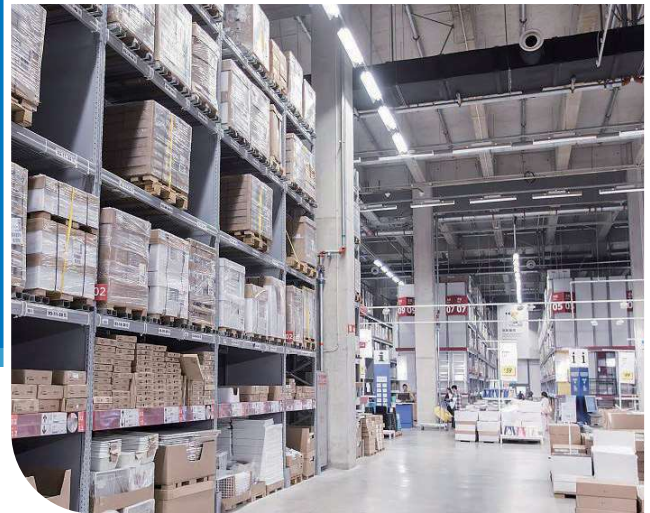


FDHB-405V-MMS

Highbay detachable Microwave Motion Sensor



Wiring diagram



On/off control



Stand-by dimming level



Detection area



Remote control setting



Hold time



10-15M Highbay altitude



Daylight sensor



Warranty
5 years

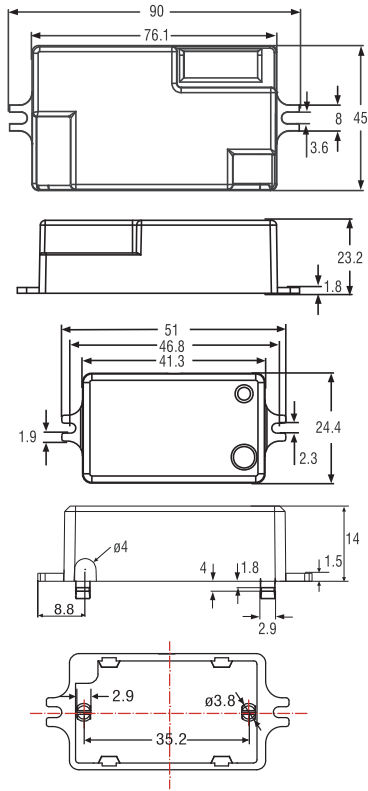


Stand-by period

01 Technical data

Operating voltage	120-277 VAC 50/60Hz
Switching capacity	Max.3.0A@120Vac,Max.2.0A@277Vac
Stand-by power	<1W
Detection area	50%/100%
Hold time	5s/30s/1min/10min
Daylight threshold	2Lux/10Lux/50Lux Disable
Stand-by period	0s/30s/20min/+ ∞
Stand-by dimming level	10%/20%/30%/50%
Microwave frequency	5.8GHz±75MHz
Microwave power	<0.3mW
Interfaces	6-pole pluggable clamp terminal (L,N,N,L',1-10v+,1-10v-) for 0.75- 1.5mm ² cable
Mounting height	Max. 15m(ceiling mounted);Max.3m(wall mounted)
Detection range	Max.ø14m(ceiling mounted);Max.20m(wall mounted)
Detection angle	30°-150°
Operating temperature	-20°C~+60°C
IP rating	IP20

02 Mechanical structure(mm)



03 Settings

Legend:
● Switch UP
○ Switch DOWN

● 100% ○ 50%	● 5s ○ 30s ● 1min ○ 10min	● Disable ○ 50lux ● 10lux ○ 2lux	● 0s ○ 30s ● 20min ○ +∞	● 10% ○ 20% ● 30% ○ 50%
-----------------	------------------------------------	---	----------------------------------	----------------------------------

Detection area Hold-time Daylight threshold Stand-by period Stand-by dimming level

Detection area means detection coverage. It can be adjusted by combining DIP switches for specific application.

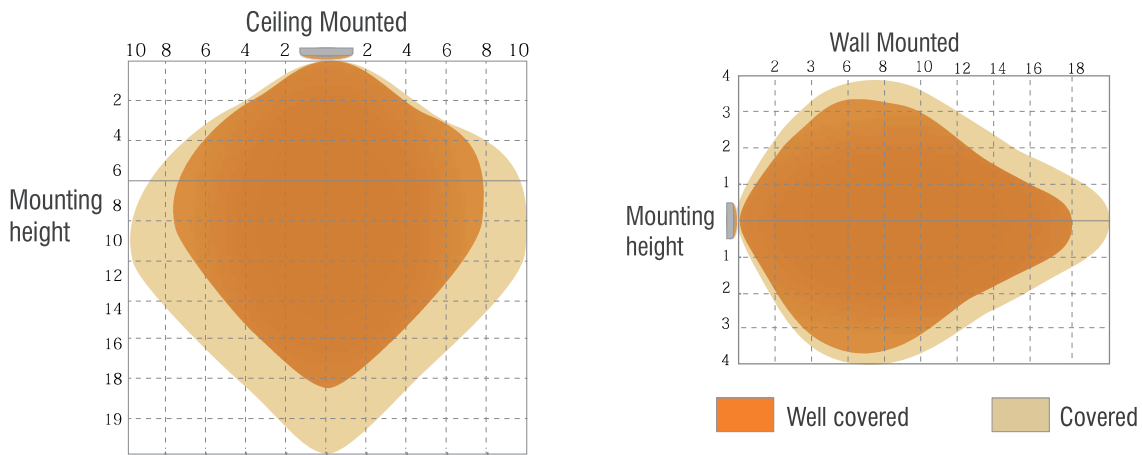
Hold-time means the time period the light will be ON after the last detection.

Daylight sensor prioritizes to motion sensor. Set threshold for specific needs. If Disable, only motion sensor works.

This is the time period the light keeps dimming down after the last detection.

This is the dimming level the light keeps during standby period.

04 Detection coverage



05 Application Function Demo - Dimmable control/Corridor function

With sufficient daylight, even when motion detected, light remains OFF.

With insufficient daylight, when motion detected, light ON.

After last detection, the light will be dimmed down to the stand-by dimming level (10%, 20%, 30% or 50%) after holdtime.

After the stand-by period, light OFF.