

# FDLED-3"-GIMBAL

## 3" Gimbal Round Recessed LED 8W

### Type IC & Air-Tight



#### DESCRIPTION

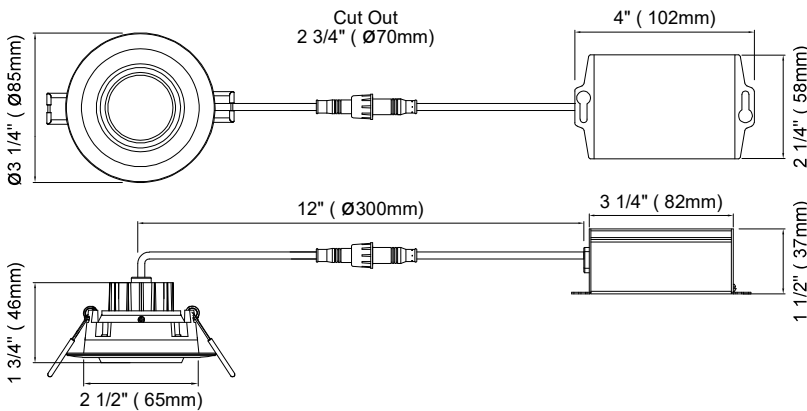
Recessed 3" Gimbal Round LED With Integral Driver In Connection Box  
 Fits Where No Other Recessed Fixture Can  
**Unique Design: Gimbal Yet Air-Tight Without Housing Needed**

#### FEATURES & BENEFITS

- 1 3/4" Thin** - Install Where Ceiling Space Is Limited
- Type IC Rated** - No Housing Required
- Fast & Easy To Install** - Save On Labour
- Driver Inside Connection Box** - No Junction Box Needed
- Directional Beam** - Great for Sloped Ceilings and Highlighting Artwork
- CRI 90** - True Colour Rendering

#### MOUNTING

Cut Hole In Ceiling And Snap Fixture In Opening With Attached Spring Clips  
 Ceiling Clearance Required: 2 1/2" for Romex, 3 1/2" for MC or BX installations



Driver Included



SPECIFICATION	
Applications	Sloped Ceilings, Highlighting Artwork
Energy Used	8 W
Colour Temperature	3000K
Light Output	550 lm
Halogen Equivalent	50 W
Beam Angle	40° Beam with 30° tilt and 360° rotation
CRI	90
Driver Input	120V AC 50/60 Hz
Power Factor	0.98
Dimming	TRIAC Dimmers 10% - 100%
Approved Location	Insulated Ceiling & Damp Locations
Air Tight	Yes
Ambient Temperature	-40°F (-40°C) to +104°F (+40°C)
Projected Life	70% Light Output at 50,000 Hours
Certification	cETL, Energy Star
<b>Warranty</b>	<b>5 Years</b>

#### COMPLIANCE



Available Trims:



White

Black

Brushed Nickel

**CHARACTERISTICS**

Unique Design: Gimbal with 30° tilt and 360° rotation, Yet Air-Tight Without Housing Needed

Body: Durable, Die Cast Aluminum Alloy for Optimal Heat Dissipation

Paint: Oil Based Spray Painted - Scratch Resistant And Smooth Finish

LED: Epistar COB Custom Packaged by Hongli Tronic with LM80. Guaranteed 98% Lumen Maintenance After 6,000 Hours

Strict Binning To Ensure Consistent Light Colour

Driver: 4th Generation

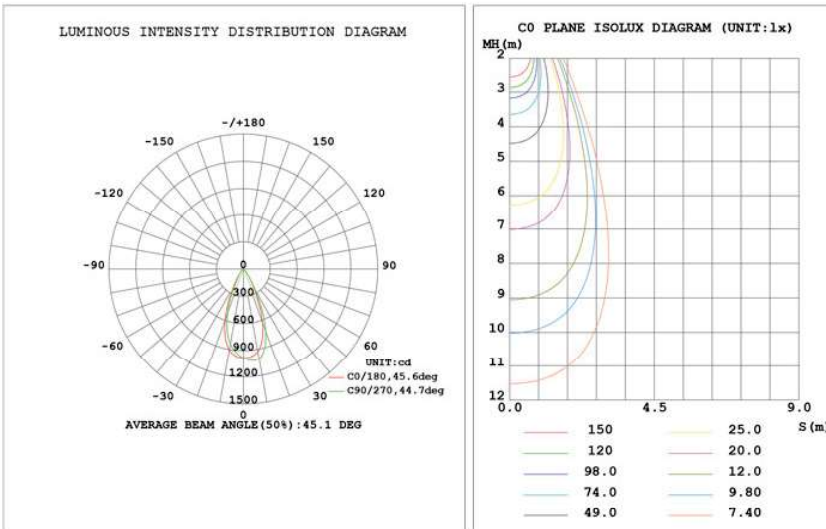
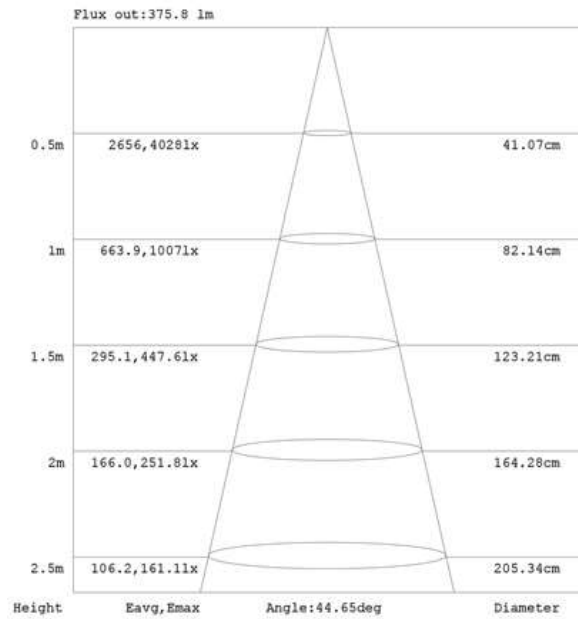
Connection Box: Saves Contractors Labour In Installation On Every Job

Testing: Every Single Driver Is Powered For Minimum 24 Hours Together With The Fixture That It Is Shipped With

Every LED Is Visually Checked Before And After The PCB Is Mounted On The Fixture. NO Random Tests-We Hand Test Every Fixture & Driver.

**PHOTOMETRIC DATA**

Test:U:119.9V I:0.0610A P:7.253W PF:0.9916 Lamp Flux:632.877x1 lm		Eff: 87.25 lm/W			
MODEL	FDLED	I <sub>max</sub> (cd)	1022	S/MH (C0/180)	0.70
NOMINAL POWER (W)	0	LOR (%)	100.0	S/MH (C90/270)	0.65
RATED VOLTAGE (V)	120	TOTAL FLUX (lm)	632.88	η UP, DN (C0-180)	0.0,54.5
NOMINAL FLUX (lm)	632.877	CIE CLASS	DIRECT	η UP, DN (C180-360)	0.0,45.5
LAMPS INSIDE	1	η up (%)	0.0	CIBSE SHR NOM	0.50
TEST VOLTAGE (V)	120	η down (%)	100.0	CIBSE SHR MAX	0.70



**ORDERING GUIDE**

FDLED-3-8W-3K -  Trim Finish

WH : White

BK : Black

BN : Brushed Nick

Order 277V - 347V Optional Driver Separately



**ACCESSORIES**

Sold Separately



Low Volage Extension Cables  
**10FT FD-FLEX-10**  
**20FT FD-FLEX-20**



Rough-In Plates - **FD-MP-3**