

FDLED-3-R6W-MK-WH

3" 6 Watt UltraThin 2 - "Builders Choice" Switchable

"The Only Panel Light You Can Switch From 3000K To 4000K"

Features

Body

Durable airtight aluminum body with etched white polycarbonate diffuser lens for low glare.

LED Characteristics

This general application light fixture features a 6 watt LED module that maintains uniform intensity producing up to 420 lumens; with a typical CRI of 80 and a 50,000 hour life span.

Dimming

100%-10% dimming capability. This fixture is compatible with industry standard TRIAC/ELV dimmers (contact factory for listing of compatible dimmers).

Beam Spread

The fixture lens provides 120° beam spread.

Mounting

Includes two spring loaded clips to be attached to any ceiling material. The slim profile allows to be mounted under joists or duct work.

LED Driver

Galvanized hardware box with 210mA dimmable class II electronic LED driver with 100-135V AC input. Includes an 7" cable from driver to fixture.

Operating Temperature

-20°C~40°C

Environment

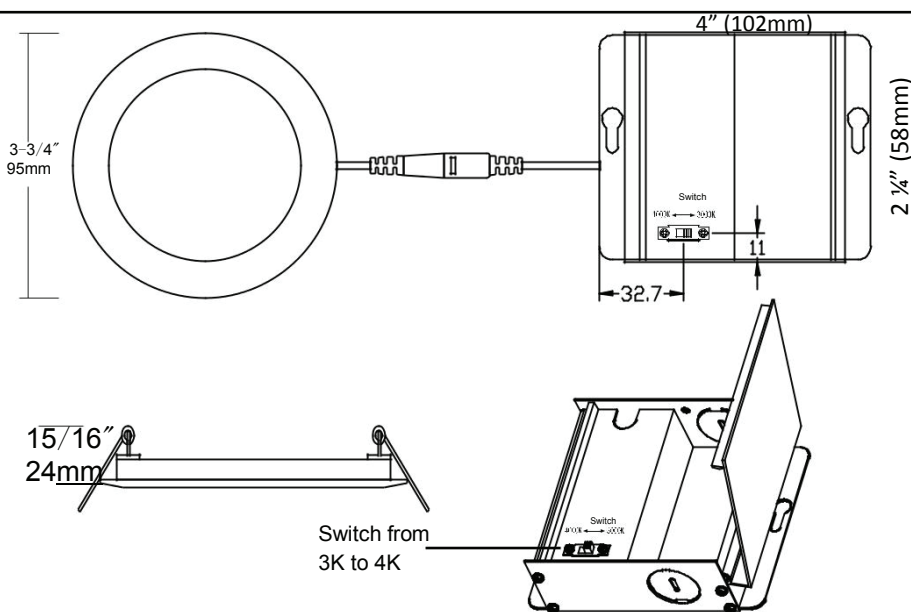
Suitable for Damp locations.
Suitable for insulated ceiling applications.

SPECIFICATION	
Application	Ceiling Recess Mount
Approved Location	Damp
Beam Angle	120°
CCT	3000° K / 4000° K
Certification	cETLus/Energy Star
Class II	Yes
Colour	WH
CRI	80
Dimming	Yes
Dimming Tech	TRIAC/ELV
Input	100-135V AC, 60Hz, 0.11A
LM79	Yes
LM80	Yes
Lumens	400 / 420
Lumens per Watt	70
Power Factor	>0.9
Projected Life	70% @ 50,000 hrs
Warranty	5 Years
Wattage	6W



Description

The panel is a 6 watt 3" slim profile light fixture for recess retrofit application. It is a high-performance, easy to install residential grade downlight solution that offers good light output energy efficiency and streamlined design. Suitable for damp locations.



Notes Accessories are sold separately. For additional options please consult your representative. Due to our continued efforts to improve our products, products specifications are subject to change without notice.

Accessories



FD-FLEX-10
10FT Flexible connector, for use with Slim LED fixtures.



FD-FLEX-20
20FT Flexible connector, for use with Slim LED fixtures.



FD-MP-3
3" Round pre-mounting plate for Slim LED round fixtures.