

FDLED-4-R9W-3K4K5K

4" 9Watt Ultra Thin 2 "The New Generation" " Builders' Choice"

Features

Body

Durable airtight aluminum body with etched white polycarbonate diffuser lens for low glare.

LED Characteristics

This general application light fixture features a 9 watt LED module that maintains uniform intensity producing up to 700 lumens; with a typical CRI of 80 and a 50,000 hour life span. Available in 3000K/4000K/5000K.

Dimming

100%-10% dimming capability. This fixture is compatible with industry standard TRIAC/ELV dimmers (contact factory for listing of compatible dimmers).

Beam Spread

The fixture lens provides 105° beam spread.

Mounting

Includes two spring loaded clips to attach to any ceiling material. The slim profile allows to be mounted under joists or duct work.

LED Driver

Extruded aluminum hardwire box with 210mA dimmable class II electronic LED driver with 120VAC input. Includes a 7" cable from driver to fixture.

Operating Temperature

-20°C ~ 40°C

Environment

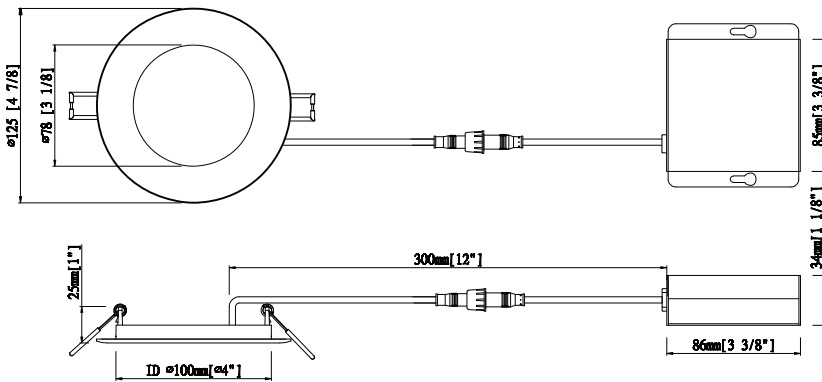
Suitable for damp locations.
Suitable for insulated ceiling applications.

SPECIFICATION	
Application	Ceiling Recess Mount
Approved Location	Damp
Beam Angle	105°
CCT	3000K / 4000K / 5000K
Certification	cETLus/Energy Star
Class II	Yes
Colour	BK / BN / WH
CRI	80
Dimming	Yes
Dimming Tech	TRIAC
Input	120V AC, 60Hz, 0.09A
LM79	Yes
LM80	Yes
Lumens	630Lm / 700Lm / 690Lm
Lumens per Watt	70 / 77 / 76
Power Factor	>0.9
Projected Life	70% @ 50,000 hrs
Warranty	5 Years
Wattage	9W



Description

The panel is a 9 watt 4" slim profile light fixture for recess retrofit application. It is a high-performance, easy to install residential grade downlight solution that offers good light output energy efficiency and streamlined design. Suitable for damp locations.



Notes : Accessories are sold separately. For additional options please consult your representative. Due to our continued efforts to improve our products, product specifications are subject to change without notice.

Accessories



FD-FLEX-10
10FT Flexible connector, for use with Slim LED fixtures.



FD-FLEX-20
20FT Flexible connector, for use with Slim LED fixtures.



FD-MP-4
4-1/4" Round pre-mounting plate for Slim LED round fixtures.

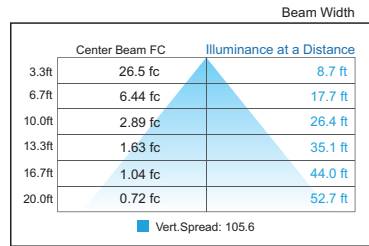
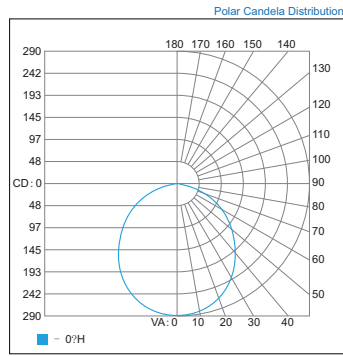


FD-MP-6
6-1/4" Round pre-mounting plate for Slim LED round fixtures.

Photometry

LED-R9W:4" Slim Surface, 3000K/4000K/5000K

Zonal Lumen Summary		
Zone	Lumens	% Luminaire
0-30	222.0	29%
0-40	358.7	46.9%
0-60	616.6	80.6%
60-90	148.7	19.4%
70-100	60.3	7.9%
90-120	0	0%
0-90	565.3	100%
90-180	0	0%
0-180	765.3	100%



Compatible Dimmers

Brand	Model	Maximum Number of Fixtures per Dimmer
Lutron	DVCL-153P	11
	CTCL-153P	11
	DVELV-300P	24
	SELV-300P	24
	NTELV-300	24
	NTELV-300	48
	MAELV-600	48
	MRF2-6ND-120	12
Leviton	DV600	8
	VPE04	12
	6615	22
	VPE06	45
	VRE06	45
	6672	4
	6674	4
	IPE04	10
	6631	10
6633-P	10	
Cooper	SAL06P-W-K	10