

# FDLED-6-R12W-3K4K5K

6" 12 Watt UltraThin 2 - Builders Choice" Selectable 3-4-5K Series

**"The Only Panel Light You Can Switch From 3000K, 4000K, 5000K"**

## Features

### Body

Durable airtight aluminum body with etched white polycarbonate diffuser lens for low glare.

### LED Characteristics

This general application light fixture features a 12 watt LED module that maintains uniform intensity producing up to 700 lumens ;with a typical CRI of 80 and a 50,000 hour life span .Available in 3000K or 4000K or 5000K(color changable with switch)

### Dimming

100%-10% dimming capability .This fixture is compatible with industry standard TRIC/ELV dimmers (contact factory for listing of compatible dimmers).

### Beam Spread

The fixture lens provides 120° beam spread.

### Mounting

Includes two spring loaded clips to attached to any ceiling material .The slim profile allows to be mounted under joists or duct work.

### LED Driver

Galvanized hardware box with 210mA dimmable class II electronic LED driver with 100-135V AC input. Includes an 7" cable from driver to fixture.

### Operating Temperature

-20°C~40°C

### Environment

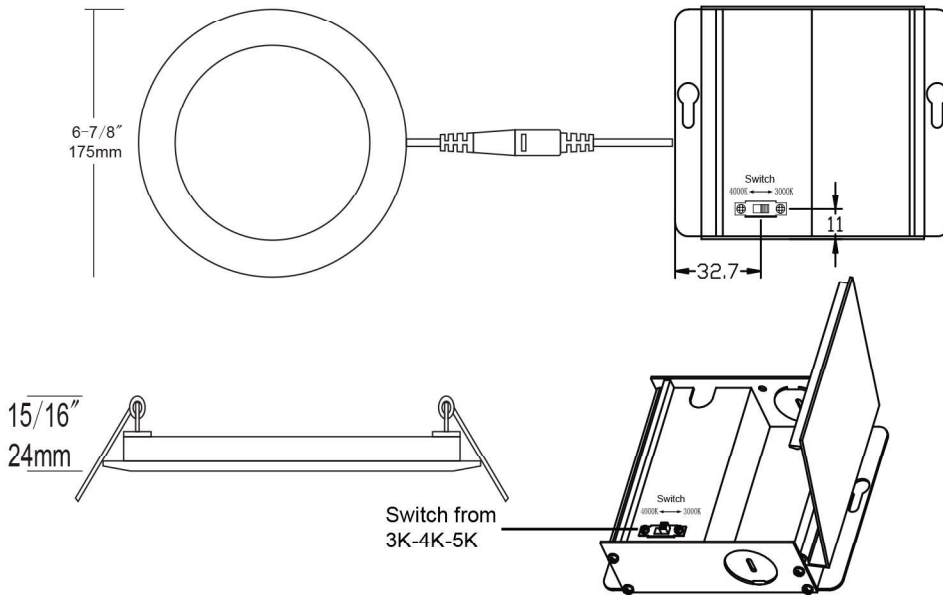
Suitable for Damp locations.  
Suitable for insulated ceiling applications.

SPECIFICATION	
Application	Ceiling Recess Mount
Approved Location	Damp
Beam Angle	120°
CCT	3000K/4000K/5000K
Certification	cETLus/Energy Star
Class II	Yes
Colour	BK / BN / WH
CRI	80
Dimming	Yes
Dimming Tech	TRIAC/ELV
Input	100-135V AC, 60Hz, 0.1
LM79	Yes
LM80	Yes
Lumens	800/880/850
Lumens per Watt	62
Power Factor	>0.9
Projected Life	70% @ 50,000 hrs
Warranty	10 Years
Wattage	12W



## Description

The panel is a 12 watt 6" slim profile light fixture for recess retrofit application. It is a high-performance, easy to install residential grade downlight solution that offers good light output energy efficiency and streamlined design. Suitable for damp locations.



Notes Accessories are sold separately. For additional options please consult your representative. Due to our continued efforts to improve our products , products specifications are subject to change without notice.

## Accessories



**FD-FLEX-10**  
10FT Flexible connector, for use with Slim LED fixtures.



**FD-MP-4**  
4-1/4" Round pre-mounting plate for Slim LED round fixtures.



**FD-FLEX-20**  
20FT Flexible connector, for use with Slim LED fixtures.



**FD-MP-6**  
6-1/4" Round pre-mounting plate for Slim LED round fixtures.