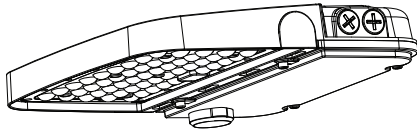


# LED Area/Flood Light Pro-Series

## FEATURES:



- ▶ Unique Shell design with best cooling system
- ▶ 6KV surge protection; 1-10V Dimming; 120-347V
- ▶ Pre-Select 3 Wattage & 3 CCT
- ▶ High Efficiency > 145 Lumens / Watt
- ▶ Polyester powder-coated finish for rust and corrosion proof
- ▶ Optional Photocell, Motion Sensor Optional
- ▶ IP65 Rated
- ▶ 5-Year Warranty



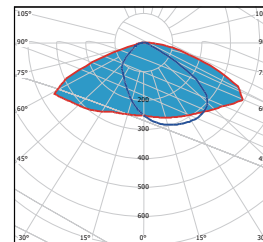
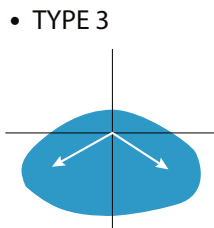
Visor Design



High Efficiency  
>145 LM/W



Type 3 Beam Angle



Optional Accessories:



Photo Cell



Motion Sensor  
(with photocell function)



① Pre-Select 3 CCT  
DIP Switch

② Pre-Select 3 Wattage  
DIP Switch

Optional Accessories:

- Slip Fitter
- Universal Arm (Pole) Mounting
- Trunnion Mounting
- Wall Mounting

# LED Area/Flood Light Pro-Series

## Construction:

- ▶ Integrated die-casting aluminum heat sink
- ▶ 24" length power cord
- ▶ High efficiency polycarbonate lens
- ▶ Robust die-casting aluminum bracket
- ▶ Corrosion resistant die-casting aluminum housing

## Performance:

- ▶ Pre-Select 3 Wattage & 3 CCT
- ▶ High efficiency >145 Lumens / Watt
- ▶ L70 lumen maintenance > 500,000 hours @25°C
- ▶ Dark brown polyester powder coat finish
- ▶ IP65 rated and 5-Year warranty

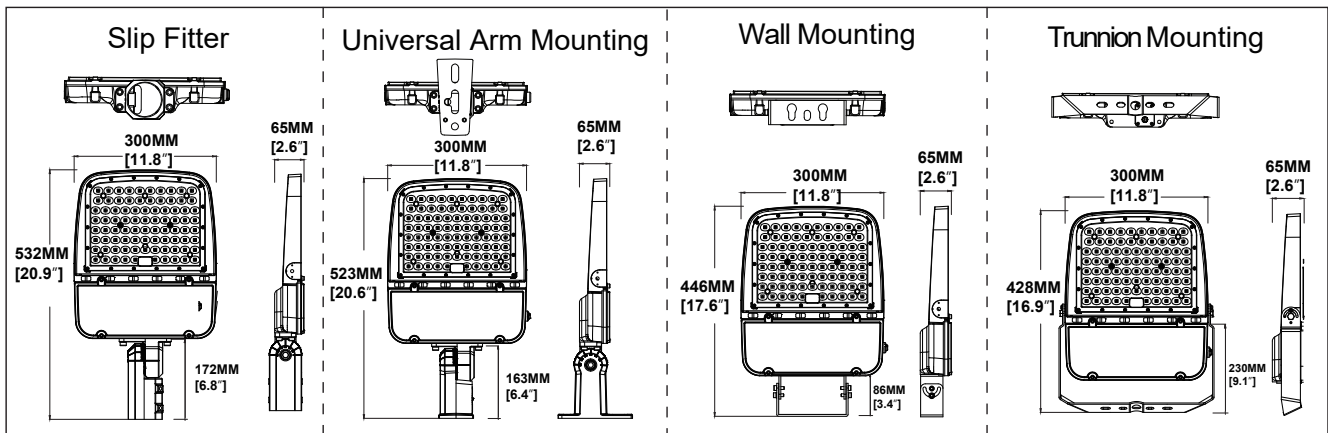
## Specifications:

SKU	102310				102311					
Product No.	FDFL-75/100/150-3CCT-120-347VD				FDFL-100/150/200-3CCT-120-347VD					
Rated Power	<ul style="list-style-type: none"> <li>■ 75W</li> <li>■ 100W</li> <li>■ 150W</li> <li><b>Pre-Select</b></li> </ul>				<ul style="list-style-type: none"> <li>■ 100W</li> <li>■ 150W</li> <li>■ 200W</li> <li><b>Pre-Select</b></li> </ul>					
Lumens Output (LM)	Lumen Output		CCT			Lumen Output		CCT		
			3000K	4000K	5000K			3000K	4000K	5000K
	Wattage	75W	13129	14045	13775	Wattage	100W	16489	17715	17027
		100W	16090	17639	17510		150W	21476	23714	22497
		150W	22180	23444	22650		200W	28932	30587	29486
CCT	Pre-Select 3000K-4000K-5000K				Pre-Select 3000K-4000K-5000K					
Efficiency (LM/W)	>145LM/W									
CRI	>70									
Lifespan	50,000 hours									
Weight(kg/lbs)	4.2 / 9.3				5.4 / 11.9					
Dimmable	1-10V									
IP Rating	IP65									
Beam Angle	TYPE III									
Input Voltage	120-347V, 50/60Hz									
Power Factor	>0.9									
Housing	Die-Casting Aluminum									
Lens	Clear PC									
Surge Protection	L&N-PE: 6KV									
Optional Mounting	Slip Fitter, Trunion Mounting, Universal Arm (Pole) Mounting, Wall Mounting									
Certification	ETL, DLC 5.1 PREMIUM									
Operating Temperature	-40° ~ 131° F (-40° ~ 55° C)									

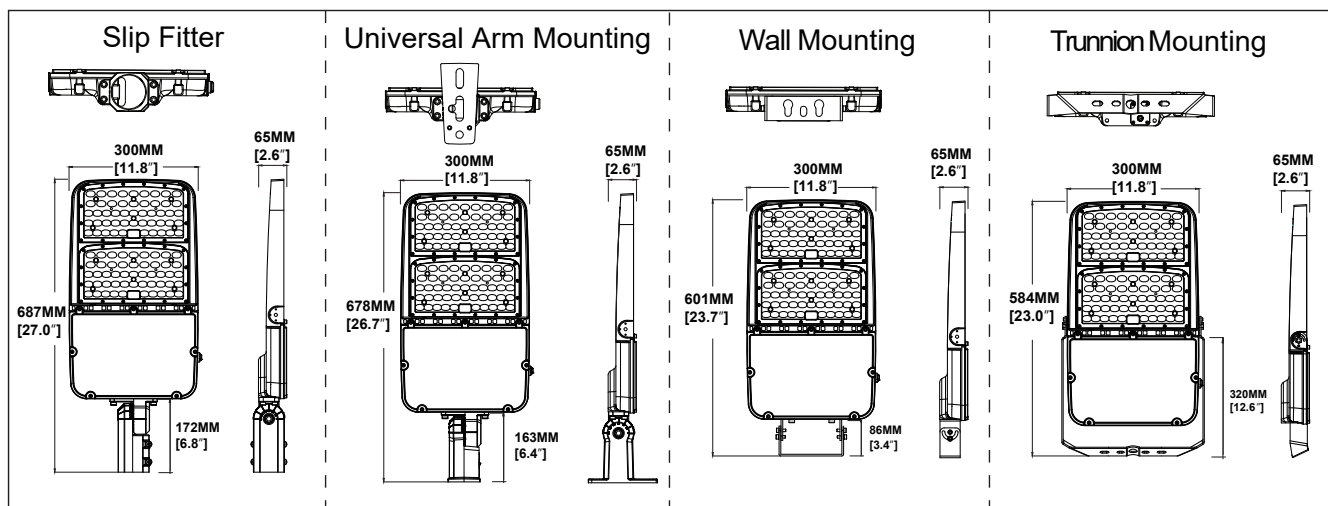
# LED Area/Flood Light Pro-Series

## Dimension:

- 75W/100W/150W



- 100W/150W/200W



# LED Area/Flood Light Pro-Series

## Optional Accessories:



**Slip Fitter**



**Universal Arm (Pole) Mounting**



**Wall Mounting**



**Trunnion Mounting**



**Bull Horn/Triple Bull Horn**



**Photocell**



**Motion Sensor  
(with photocell function)**



**Remote Controller**