

Installation Instruction LED Highbay UFO Multi-Series

Product Introduction:

FDL LED Highbay UFO Multi Series is imported with high-brightness SMD2835 led chip, with unique high purity die-cast aluminum heat sink, and high efficiency constant current or constant voltage driver. Ideal product for the factories, stadiums, warehouse, distribution centre, and similar applications.

Product Features:

- 1.The material of heat sink is high thermal conductivity die-cast aluminum, good for heat dissipation and the surface is anti-static.
- 2.Multiple wattage and CCT, installation methods, and accessories are available for selection.
- 3.This fixture is waterproof, dustproof, anticorrosive, and IP 65 Rated.

Warning:

- 1.Please read the manual carefully before installation.
2. caution, electric shock risk. Switch off the main power before installation.
- 3.The luminaire must be installed by qualified electricians in accordance with local rules and codes.
- 4.The external flexible cable or cord of this luminaire cannot be replaced; if the cord is damaged, the luminaire shall be destroyed.
- 5.Please keep the fixture out of fire, electric shock, vibration.
- 6.To adjust the output power and color temperature, you need to operate after AC OFF.

Technical Parameters:

Pre-Select 3 Wattage	80-120-150 watts	150-200-240 watts
Input Voltage	AC120-347V	
Frequency	50/60Hz	
Pre-Select 3 CCT	3000K-4000K-5000K	
Working Temperature	-30°C ~ + 50°C (- 22°F ~ +122°F)	

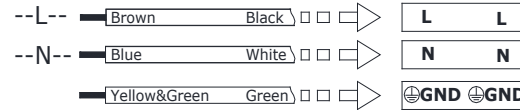
Packing including:

- 1.1 pcs LED Highbay UFO Multi-Series
- 2.1 pcs Installation Instruction
- 3.1 pcs 8.2 FT safety cable
- 4.1 pcs loop

SKU#111350
111351

Wiring Diagram

AC cord



label

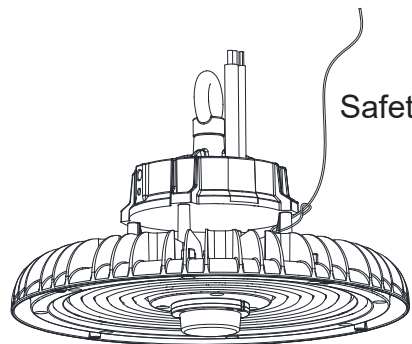
0-10V dimmable



label

Installation instruction:

Fasten safety cable

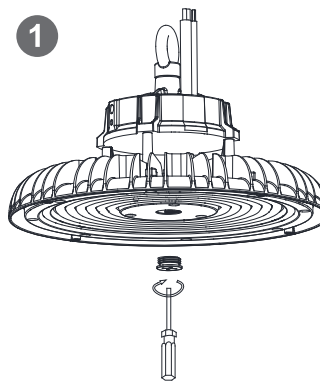


Safety cable position

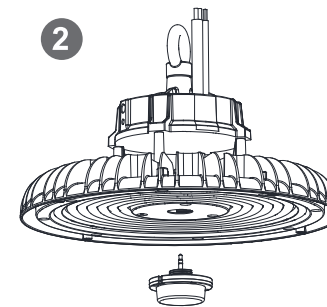


Lamp must be fastened with safety cable

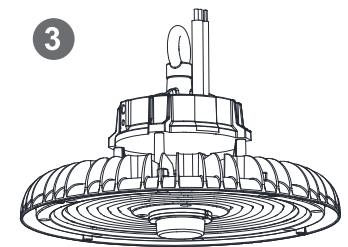
Twist in sensor installation manual



1 Take out cover cap



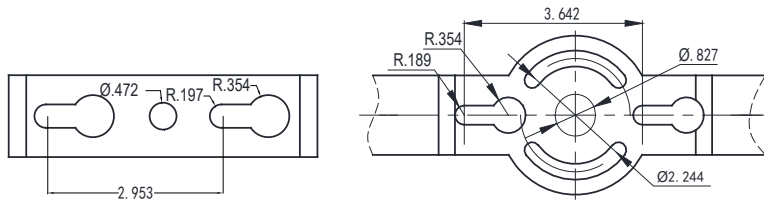
2 Twist in sensor



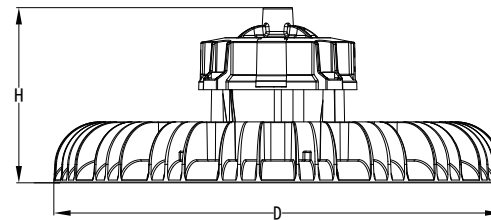
3 Finished installation

Attention:Sensor should be properly tightened to make it waterproof

Hole dimension for mounting (inch)



LED light dimension



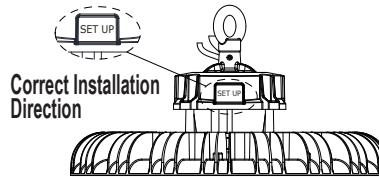
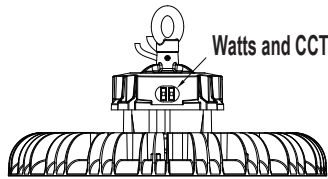
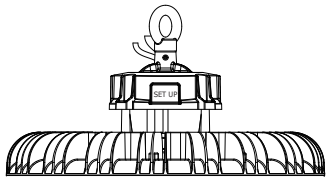
Pre-Select 3 Wattage	Diameter D(inch)	Height H(inch)
80-120-150W	11.024	4.921
150-200-240W	12.598	4.921

CCT and Wattage Selection

1.Remove the rubber pad from the driver

2.Use the slide switch to select wattage and CCT

3.Attach the rubber pad to the driver



CCT	A(CW)	A+B(NW)	B(WW)
3000~5000K	5000K	4000K	3000K

Power	HIGH(A)	MID(B)	LOW(C)
150W	150W	120W	80W
240W	240W	200W	150W

Installation

