

2" Recessed Downlight



Features

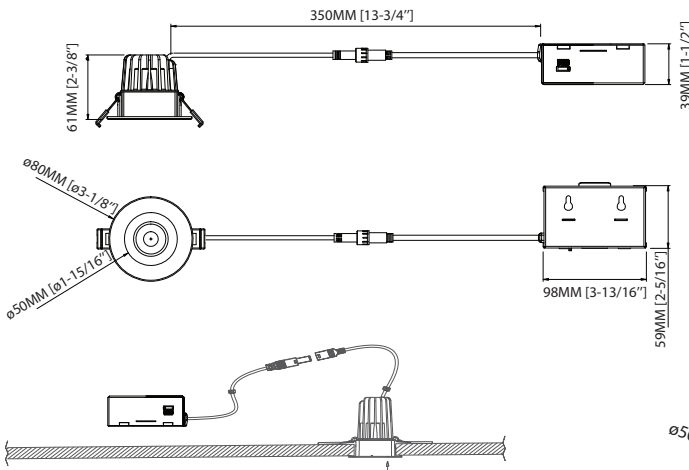
- *Pre-Select 5 CCT 2700K /3000K/3500K/4000K /5000K
- * Durable Aluminum body with adjustable gimbal
- * Simple snap-in installation is fast and easy
- * Beam Spread options 24°/38°
- * I.C. rated for direct contact with insulation
- * No housing required
- * Air Tight
- * 10-100% dimming capability this fixture is compatible with industry standard TRIAC/ELV dimmers
- * Lifespan - over 50,000 hours
- * Suitable for WET LOCATION
- * Input voltage: AC 120V 60Hz



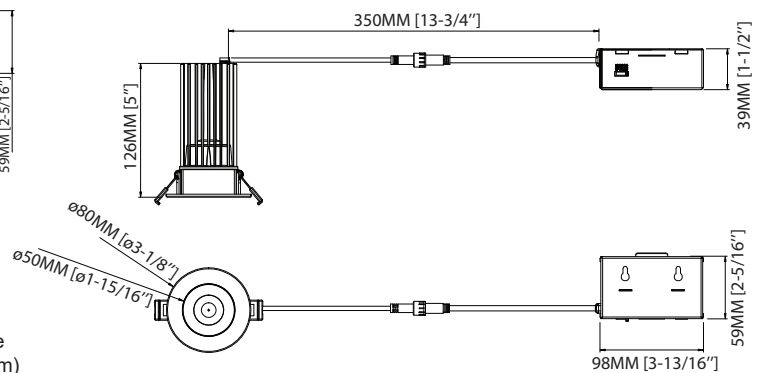
SPECIFICATIONS		
Model	FDRD-2-8W-5CCT-120V-WH-R	FDRD-2-15W-5CCT-120V-WH-R
Watts	8W	15W
Light Output(lm)	600lm	1000lm
CRI	80Ra+	
Color Temperature(K)	Pre-Select 5 CCT 2700K /3000K/3500K/4000K /5000K	
Default Driver Input	AC120V,60Hz	
Dimming	Triac Dimming 10-100%	
Power Factor	>0.9	
Approved Location	Wet Location	
Air Tight	Yes	
IC Rated	Yes	
Operating Temp	(-4°F~104°F) -20~40°C	
Beam Angle	38°	

DIMENSION

8W:



15W:



OPTIONAL ACCESSORIES

Mounting Plate



FD-UNMP (SKU#101078)

Universal Mounting Plate, compatible with 2", 3", 3.5", 4" Light Panel and Downlights

Extension Cables



10ft flexible connector, for use with Gimbal/slim LED fixtures



20ft flexible connector, for use with Gimbal/slim LED fixtures