

# 3.5" Recessed Gimbal Downlight Round

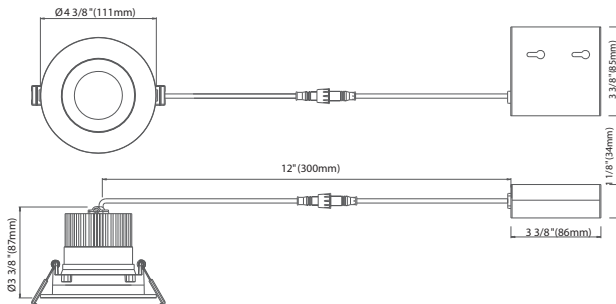


## Features

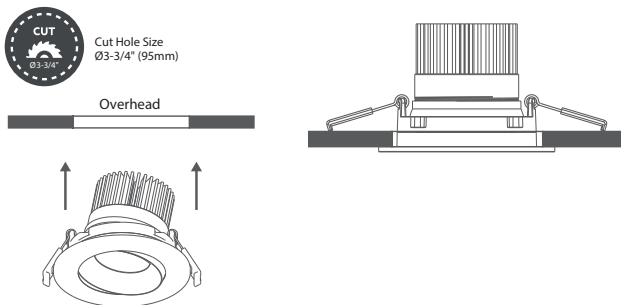
- \* Durable Aluminum body with adjustable gimbal
- \* Simple snap-in installation is fast and easy
- \* Tilting gimbal light source for directional lighting
- \* I.C. rated for direct contact with insulation
- \* No housing required
- \* Input voltage: AC 120V 60Hz
- \* 10-100% dimming capability this fixture is compatible with industry standard TRIAC/ELV dimmers
- \* Lifespan - over 50,000 hours
- \* Suitable for WET LOCATION
- \* Pre-Select 5 CCT 2700K /3000K/3500K/4000K /5000K



## DIMENSION



## INSTALLATION



SPECIFICATIONS	
Model	FDRGD-3.5-12W-5CCT-120V-WH-R
Watts	12W
CRI	90Ra+
Color Temperature(K)	Pre-Select 5 CCT 2700K /3000K/3500K/4000K /5000K
Light Output(lm)	800lm
Default Driver Input	AC120V,60Hz
Dimming	Triac Dimming 10-100%
Power Factor	>0.9
Approved Location	Wet Location
Air Tight	Yes
IC Rated	Yes
Operating Temp	(-4°F~104°F) -20~40°C
Beam Angle	38

PACKAGE	
Weight(g)	530g
Qty/CTN (pcs)	18pcs/CTN
Box Dimension	435*325*325mm
Gross Weight	11.8kg/CTN


## INCLUDED IN BOX

3.5" Recessed Gimbal Downlight, Round



## OPTIONAL ACCESSORIES

**Mounting Plate**



**FD-UNMP (SKU#101078)**

Universal Mounting Plate,  
compatible with 2", 3", 3.5", 4"  
Light Panel and Downlights

Factory Direct Lighting (2020) Ltd.  
www.fdlighting.ca  
Tel: 1-855-533-0743 / 1-905-944-1210

100 Shields Court Unit B  
Markham, Ontario  
Canada, L3R 9T5