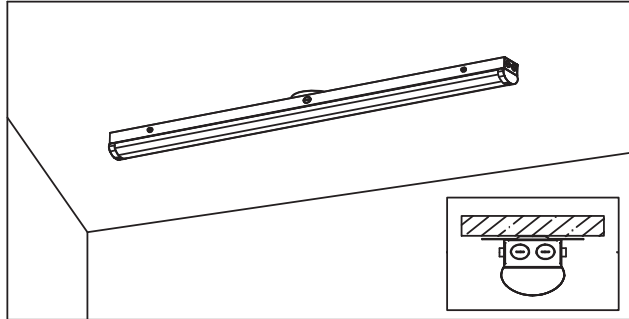
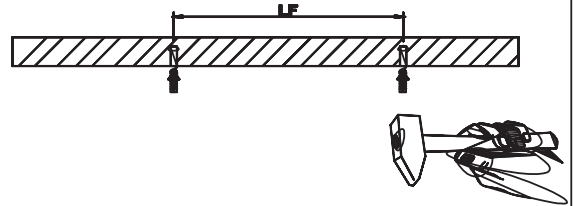


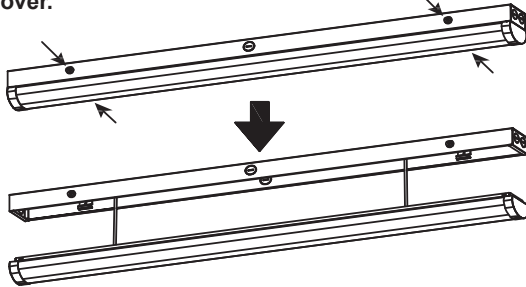
SKU#100891 100892 Installation Instructions LED Econ Commercial Strip



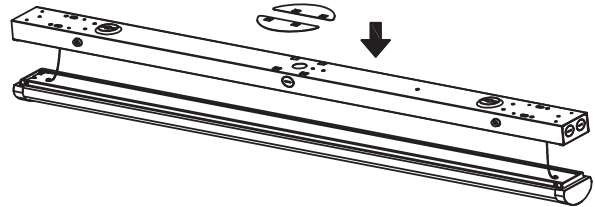
1. Punch holes on the wall and put the expansion tube inside.



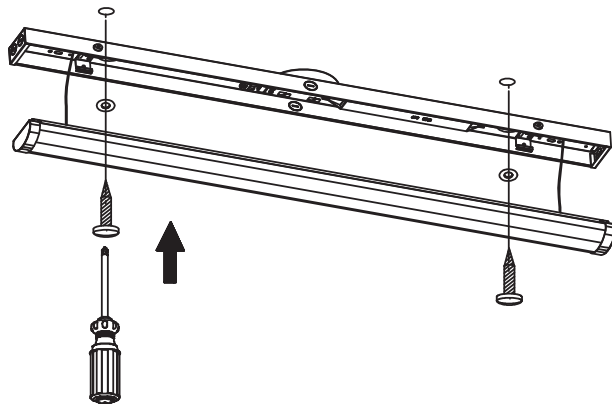
2. Press the buckle on both sides and remove the cover.



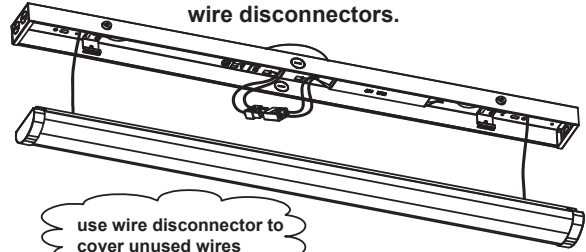
3. Mount the bracket on the LED strip.



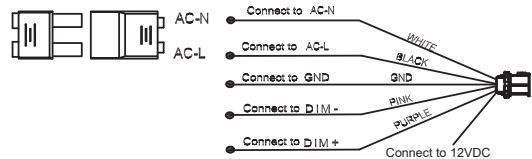
4. Secure the fixture on the wall and lock it in tight.



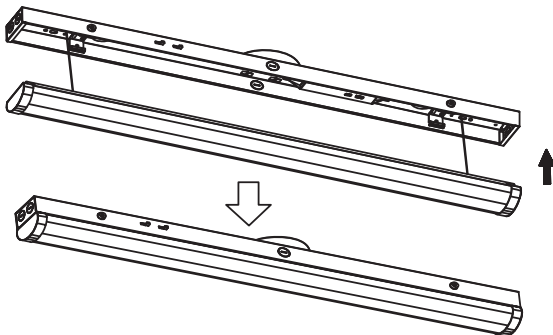
5. Turn off the power and connect wires by using wire disconnectors.



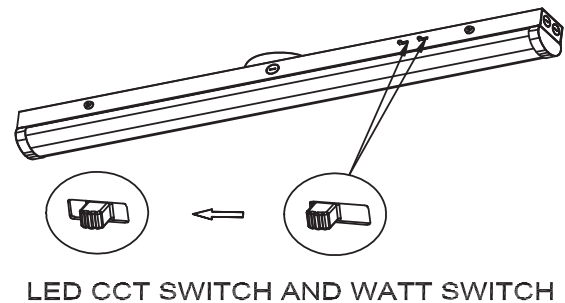
Wiring Diagram



6. Press upward the cover and lock it with springs tightly which located in o the fixture



7. Select the CCT and Wattage.



Caution: Please note that DO NOT use this product in the following places/application

1. The place has a large quantity of lampblack and smoke, such as: kitchen and food processing factory etc.
2. The place has a large quantity of chemical corrosive substance, such as: chemical plant and stockyard etc.
3. The place has poor temperature conditions, large-scale temperature variation, which would easily lead to broken and damage the product, the applicable operating temperature is between -15 and 45 degrees.