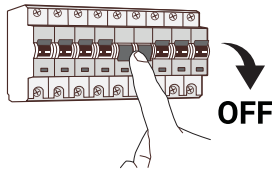


Installation Instruction

Foldable LED Highbay

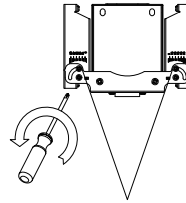
Installation

1. Before installation, turn off the power.

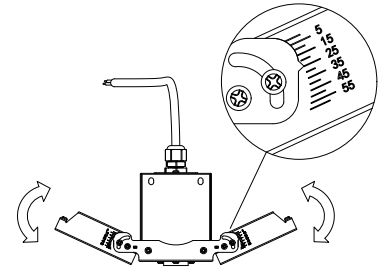


! WARNING

2.



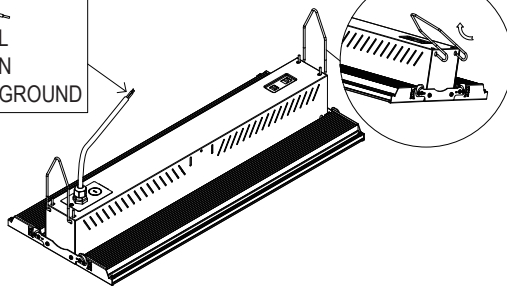
Use a screwdriver to loosen the screws at both end.



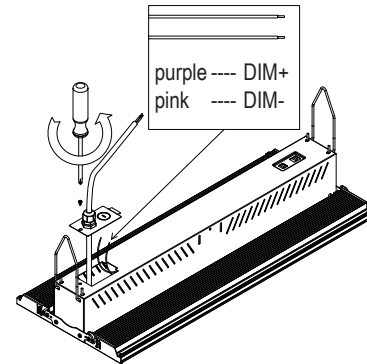
Adjust to angle (0-60°) and secure with a screwdriver.

3. Wiring instructions: black to black, white to white, green to green.

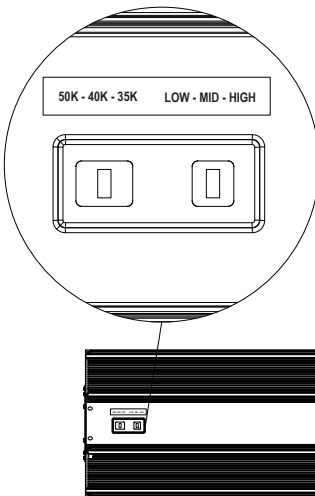
black ---- L
white ---- N
green ---- GROUND



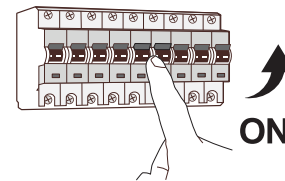
4. For 0-10V Dimming: Connect purple to DIM+, pink to DIM- if necessary.



5. Select appropriate Wattage and CCT.

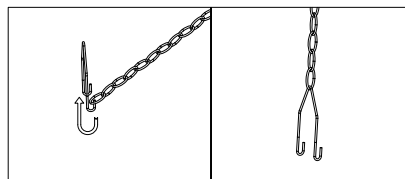
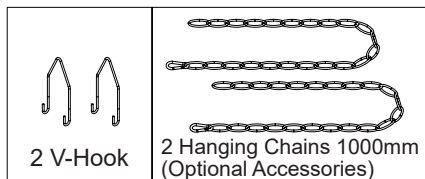


6. Once installation is complete, turn on the power.



! WARNING

Accessories

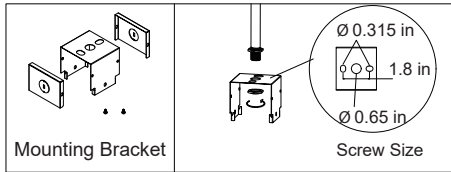


Pass the V-hook through the chains as above diagrams show.

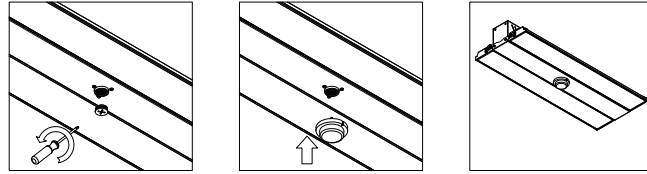
Installation Instruction

Foldable LED Highbay

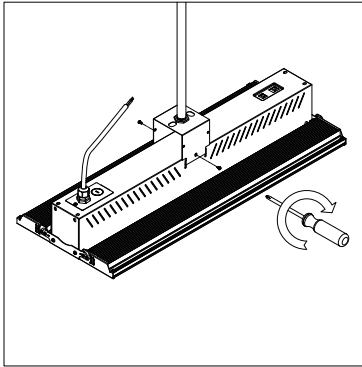
Optional accessories



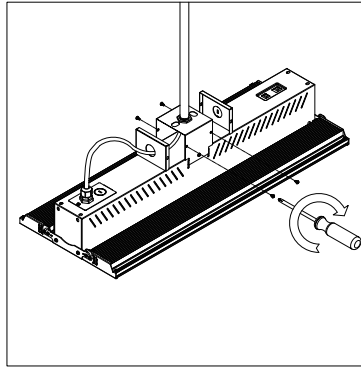
Optional Sensor



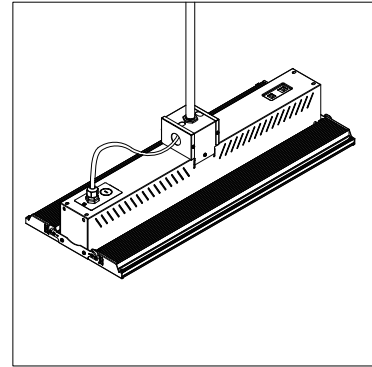
Installation



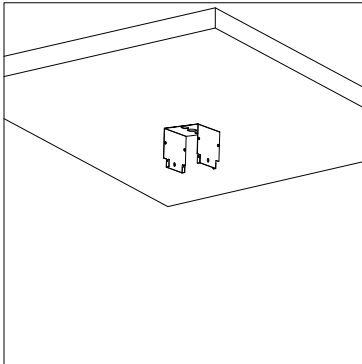
1. Place the mounting bracket to the light fixture, and tighten with a screwdriver.



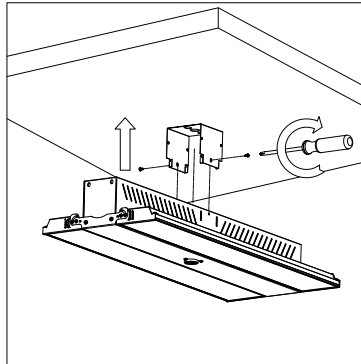
2. Pass the power cord through the one end cap of the mounting bracket, and fix it with screws.



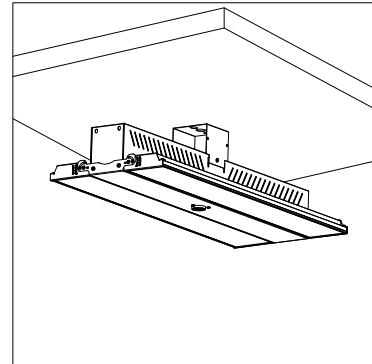
3. Complete.



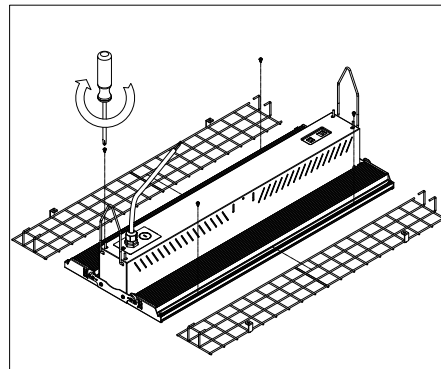
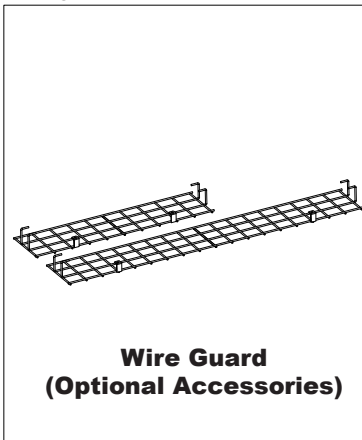
1. Fix the mounting bracket to the ceiling with screws.



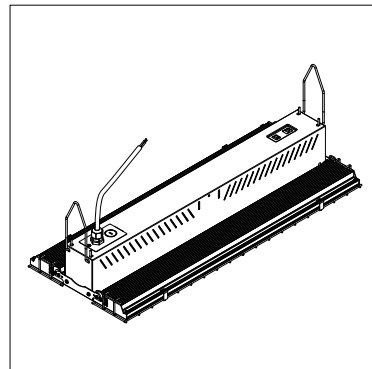
2. Secure the lighting fixture to the mounting bracket, fasten with screws.



3. Complete.



1. Slide the Wire Guards into the two sides of lighting fixture, fasten with screws.



2. Complete.