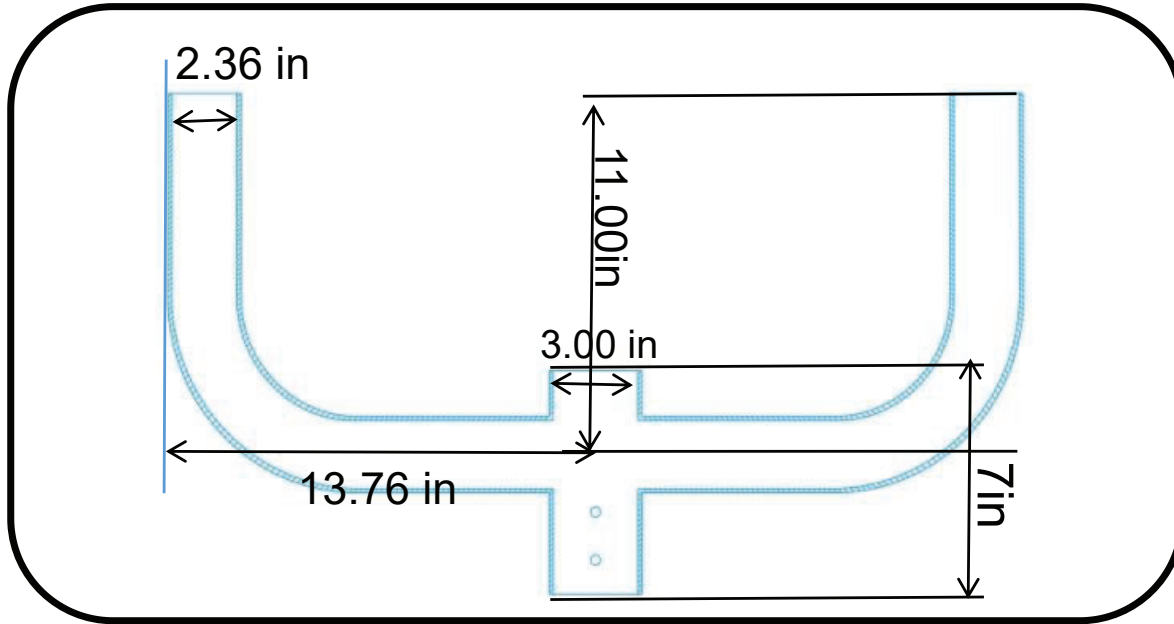


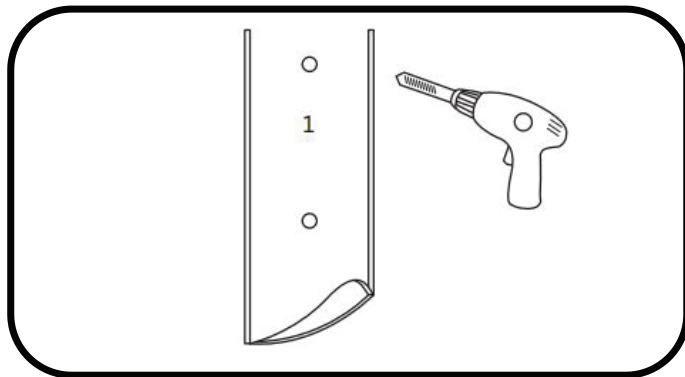
Dimension (Inch)



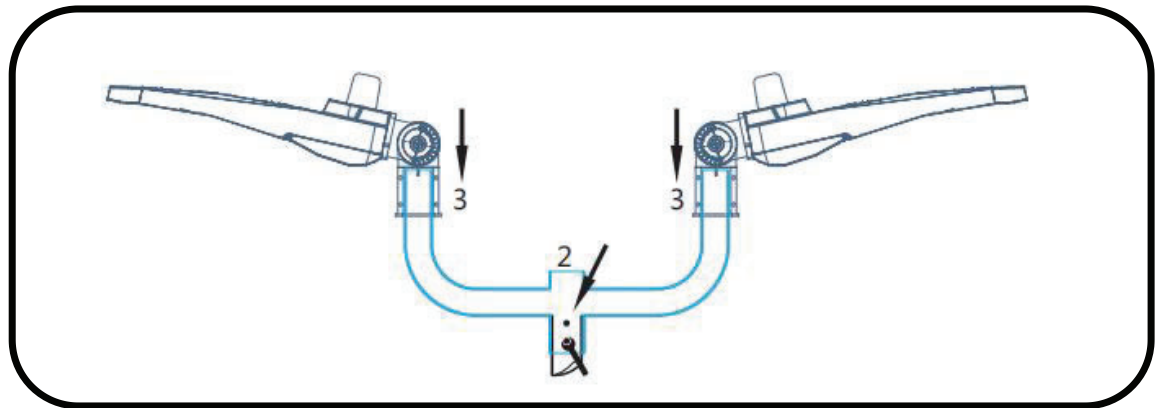
Bull horn



SKU#101315



1. According to the hole position on the bracket, Draw the position on the square pole;



2. Use tools to secure four screws;
3. Install the fixtures on the Round Tenon Adaptor and fix the screws;