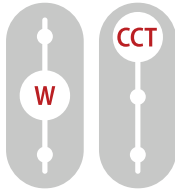


LED Highbay UFO Multi-Series



Pre-Select 3 Wattage Switch &
Pre-Select 3 CCT Switch



Product Features

- * Pre-Select 3 Wattage & 3 CCT
- * IP65 Rated, suitable for wet location
- * Comes with the sensor base
- * Optional PIR, bluetooth, and microwave sensor
- * Optional brackets
- * DLC 5.1 Premium listed



0-10V



EASY
INSTALL



DLC
LISTED
PREMIUM



WET
RATED



5
YEAR
WARRANTY



IP65



UL
CERTIFIED

Specifications

Model No. FDUFO-80-120-150W-3CCT-120-347 FDUFO-150-200-240W-3CCT-120-347

Pre-Select 3 Wattage 80-120-150 watts 150-200-240 watts

Light Efficiency(@4000K) 160lm/W

Lumen Flux

Lumen Output		CCT		
		3000K	4000K	5000K
Wattage	80W	12394	13695	13618
	120W	17395	19698	18983
	150W	20882	23699	22632

Lumen Output		CCT		
		3000K	4000K	5000K
Wattage	150W	22876	25387	24810
	200W	28290	32402	30720
	240W	32686	38258	34778

Pre-Select 3 CCT 3000K-4000K-5000K

Beam Angle 90°

CRI >70

SDCM < 5

Input Voltage 120-347V 50/60Hz

Power Factor >0.95

THD ≤20%

Surge Protection 6kV

Wet Location IP65 Rated

IK IK08

Operating Temp Range -30°C~+50°C (-22°F~+122°F)

Dimming 0-10V Dimming

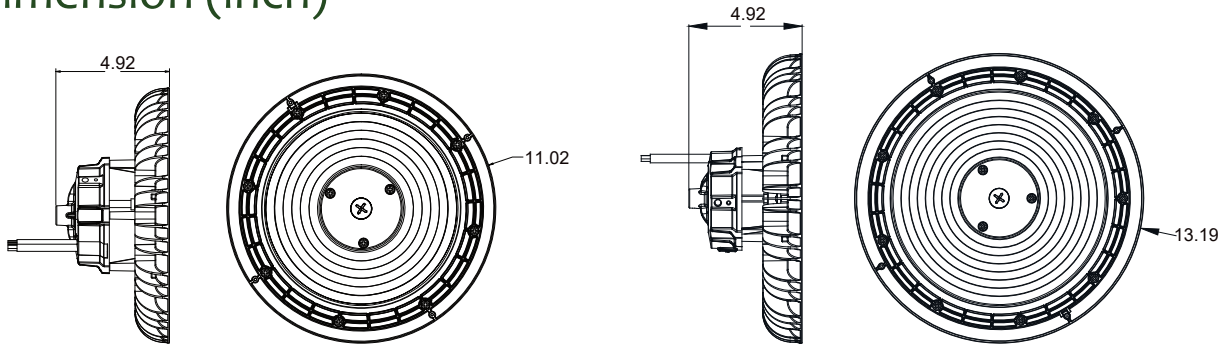
Lifetime L70,>50,000Hours @95°F

Warranty 5 years

Certificate cUL / DLC 5.1 Premium

LED Highbay UFO Multi-Series

Dimension (inch)



SKU#111350

FDUFO-80-120-150W-3CCT-120-347

SKU#111351

FDUFO-150-200-240W-3CCT-120-347

Optional Accessories



Microwave Sensor, for FDL Pro-Series UFO

12Vdc input, IP65 rating, max detect height is 49.21ft.

FDUFO-PRO-MS



Passive Infrared Bi-level Motion Sensor for High Bay

12Vdc input, IP65 rating, max detect height is 49.21ft.

FDUFO-PRO-PIR-Sensor



Bluetooth Passive Infrared Bi-level Motion Sensor

12Vdc input, The sensor can be controlled by Bluetooth App.

FDUFO-PRO-PIR-Sensor-Bluetooth



Remote controller

For motion sensor and PIR sensor.

FDUFO-PRO-MS-Controller