



Description

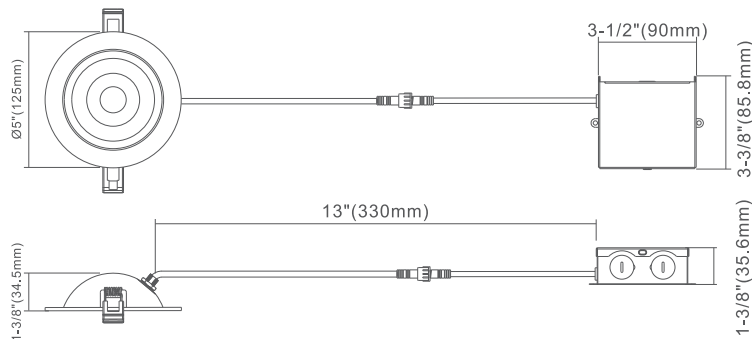
4" LED Floating Gimbal
Adjustable in any direction and easy to use

Features

- * Ideal for sloped ceilings, wall washing, highlighting artwork, task or general lighting.
- * Type IC, Air-Tight - No Housing Required
- * Driver Inside Connection Box - No Junction Box Needed
- * Pre-Select 5 CCT - from 2700K, 3000K, 3500K, 4000K, 5000K
- * Rated for long life - 50,000 hours

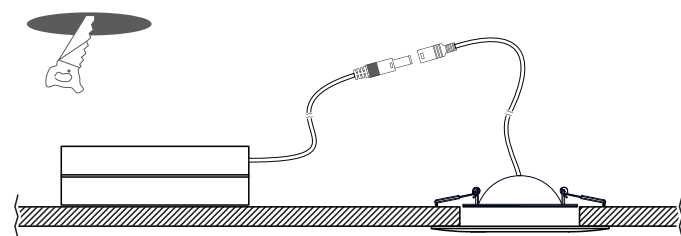


DIMENSIONS



INSTALLATION

Cut Hole Size
Ø4-1/4" (108mm)

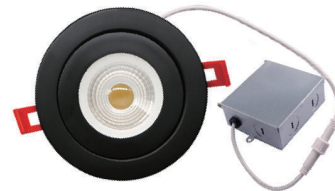


SPECIFICATIONS	
Model	DFDG-4-9W-5CCT-WH/-BK/-BNG
Watts Lumens	9W 700 lms (White) & 800 lms (Black/Brush Nickel)
CRI	90Ra+ (White) 80Ra+ (Black/Brush Nickel)
Color Temperature(K)	Pre-Select 5CCT - 2700K, 3000K, 3500K, 4000K, 5000K
Default Driver Input	AC120V, 60Hz
Optional Driver Input	Triac Dimmers 10% - 100%
Power Factor	>0.9
Approved Location	Insulated Ceiling & Damp Locations
Air Tight	Yes
Operating Temp.	(-4°F to +104°F) -20 to +40°C
Beam Angle	38°

PACKAGE	
Weight.(g)	500g
Qty/CTN (pcs)	18pcs/CTN
Box Dimension	L420*W280*H265mm
Gross Weight	10.5kg/CTN

INCLUDED IN BOX

- 4" LED Floating Gimbal with Remote Driver



Color Choices



ACCESSORIES (Optional)

Mounting Plates	
13" Long Flat Plate opening Ø4-1/4" (108mm)	26-1/2" Long Flat Plate opening Ø4-1/4" (108mm)
16-1/2" Long Flat Plate opening Ø4-1/4" (108mm)	3 7/8" new construction pre-mounting plate opening Ø3 7/8" (100mm), Ø4-3/8" (110mm), Ø6-1/4" (160mm)
Flexible Connector	Emergency Backup
4ft/ 6ft/ 10ft/ 20ft Flexible Cable	15W Emergency Driver AC100-347 VAC 50/60Hz, emergency time 90mins, Battery Li-Ion battery, 14.8V/2000mAh