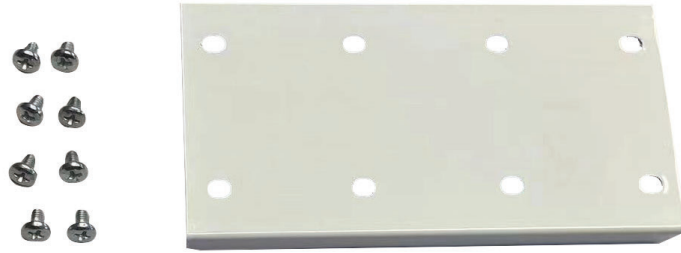
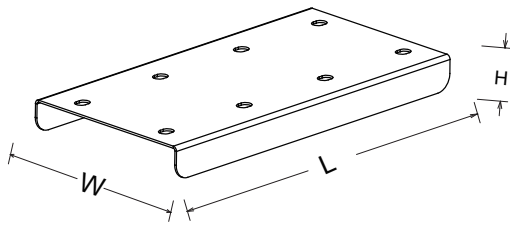


# Connector

for 4 FT FDL LED Eco-Commercial & Industrial Strip



## Product Dimension



## Parameters/dimensions

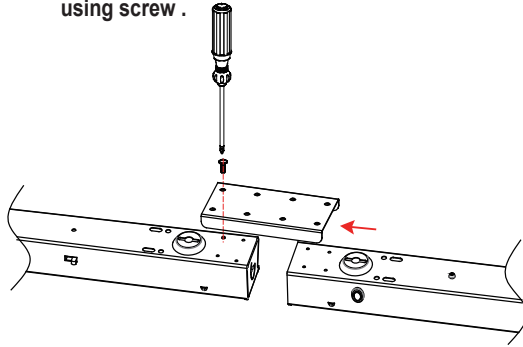
Model	L×W×H
Connection Kit	140 (L) x 70 (W) x 14 (H) mm

## Packing /weight

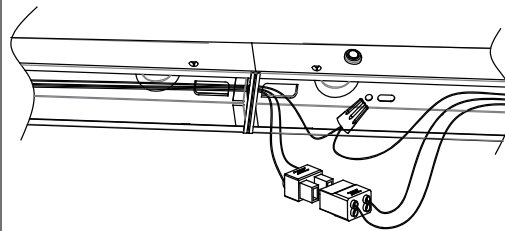
Outer box (L*W*H)	Qty/Ctn (pcs)	N.W/pcs (lbs/Kg)	G.W/Ctn (lbs/Kg)
300*210*165 mm	50	9.24/4.2	10.12/4.6

## Installation

Step1. Fixing two fixtures with the connected bracket by using screw .



Step 2. Turn off the power and wiring by using wire nuts.



Step 3. Press upward the cover and lock it. Then complete the daisy connection.

