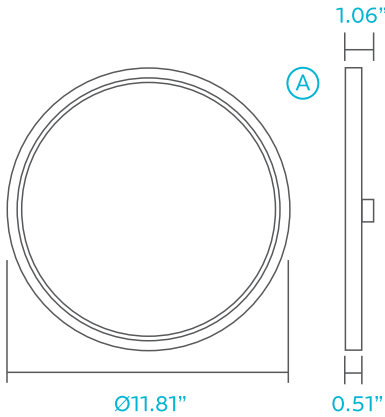
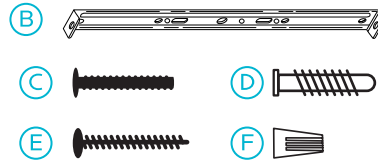


# 12" LED Flush Mount Installation Instruction



PART	DESCRIPTION	QTY
A	SLIM FLUSH MOUNT FIXTURE	1
B	MOUNTING PLATE	1
C	MOUNTING SCREWS	2
D	ANCHORS	2
E	ANCHOR SCREWS	2
F	WIRE NUTS	3

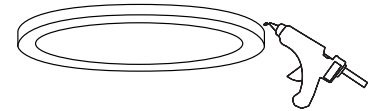


## TOOLS AND MATERIALS REQUIRED



## SAFETY RECOMMENDATIONS

1. TURN OFF ELECTRICAL POWER BEFORE STARTING INSTALLATION.
2. THIS PRODUCT MUST BE INSTALLED IN ACCORDANCE WITH THE APPLICABLE INSTALLATION CODE BY A PERSON FAMILIAR WITH THE CONSTRUCTION AND OPERATION OF THE PRODUCT AND THE HAZARDS INVOLVED.
3. CAUTION: RISK OF FIRE. CONSULT A QUALIFIED ELECTRICIAN TO ENSURE CORRECT BRANCH CIRCUIT CONDUCTOR.
4. FOR EXTERNAL USE ONLY: IT IS RECOMMENDED TO APPLY WATERPROOF SILICONE TO SEAL AROUND TRIM AND CEILING.

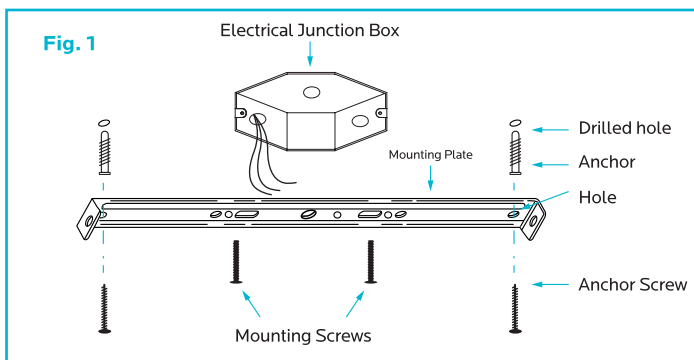


## FLUSH MOUNT

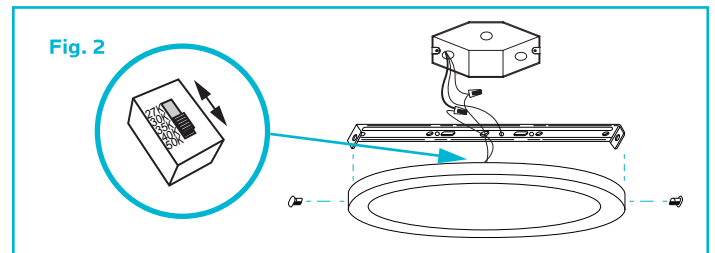
1. Pull the supply wires and house ground wire from the Outlet Box.

Position the mounting plate over the Junction Box. Mark the location of the two holes located on the Mounting Plate. Be sure to mark only the narrow parts of the hole. Remove the Mounting Plate from the ceiling. Drill the two holes using the appropriate type and size drill bit. Insert anchors into the holes.

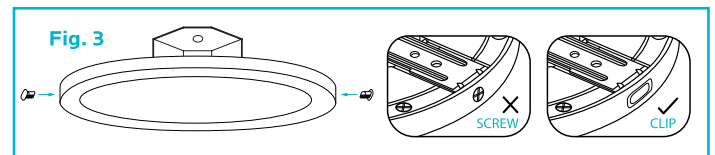
Install the Mounting Plate to the Outlet Box by using two Mounting screws. Feed the two Anchor screws through the holes. Tighten the Anchor Screws into the ceiling anchors until the mounting plate sits flush against the ceiling. (See Fig. 1)



2. Select CCT on the switch. Make Wire Connections: Connect the house ground wire to the fixture ground wire; connect the white supply wire to the white fixture wire; connect the black supply wire to the black fixture wire by using the wire connectors. Carefully tuck all wires back into the Junction Box (1). (See Fig. 2)



3. Snap and fix the clip in the bracket. (See Fig. 3)



4. Turn on the power and light up the lamp. (See Fig. 4)

