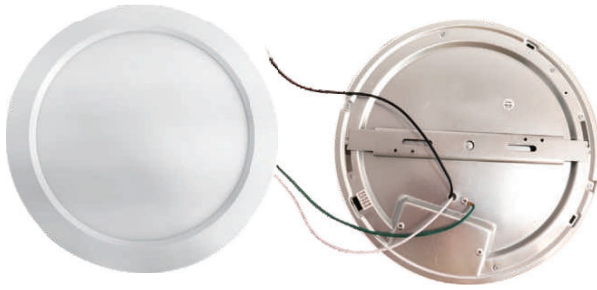


# 8" LED Flush Mount, Round



SPECIFICATIONS	
Model	FDFM-18W-LED-5CCT-120V-D
Watts	18W
CRI	90Ra+
Color Temperature(K)	5-color field selectable CCT - 2700K, 3000K, 3500K, 4000K, 5000K
Light Output(lm)	1100lm
Default Driver Input	AC120V, 60Hz
Dimming	Triac Dimming
Power Factor	>0.9
Approved Location	Wet Location
Operating Temp.	(-4°F~104°F) -20~40°C
Beam Angle	120°

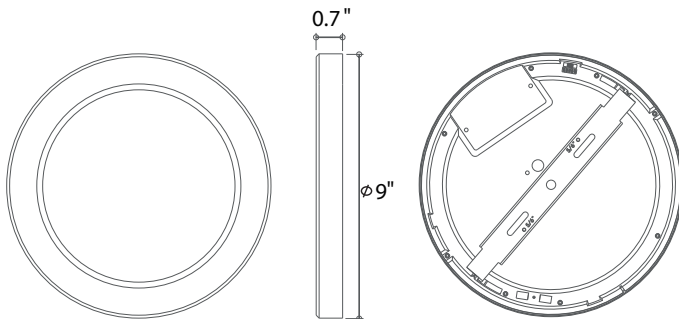
## Features

- Edge-lit technology, no glare or dark spots, instant-on
- This 5/8" thick luminaire is easy to install on standard J-boxes with a quick snap
- Construction: plastic with white translucent acrylic lens
- Dimming: TRIAC 10%-100%
- I.C. rated for direct contact with insulation
- Suitable for WET LOCATION
- Rated for a long life - over 50,000 hours
- Field selectable 2700K, 3000K, 3500K, 4000K, 5000K



PACKAGE	
Weight.(g)	400g
Qty/CTN (pcs)	20 pcs/CTN
Box Dimension	490*300*495 mm
Gross Weight	11.35 kg/CTN

## DIMENSIONS



## INCLUDED IN BOX

- 8" LED Flush Mount Round
- Mounting bracket to J-Box
- Two J-box Screws
- Three Wire Nuts

## Accessories (Optional)

## Installation

### 5-6" J-Box

Accessories included:  
Attach mounting bracket to J-box  
Click downlight into mounting bracket

### 5" & 6" Housing

Accessories (Optional)  
Connect E26 adapter to the LED adapter  
Insert mounting clips and push downlight up until flush with ceiling.

