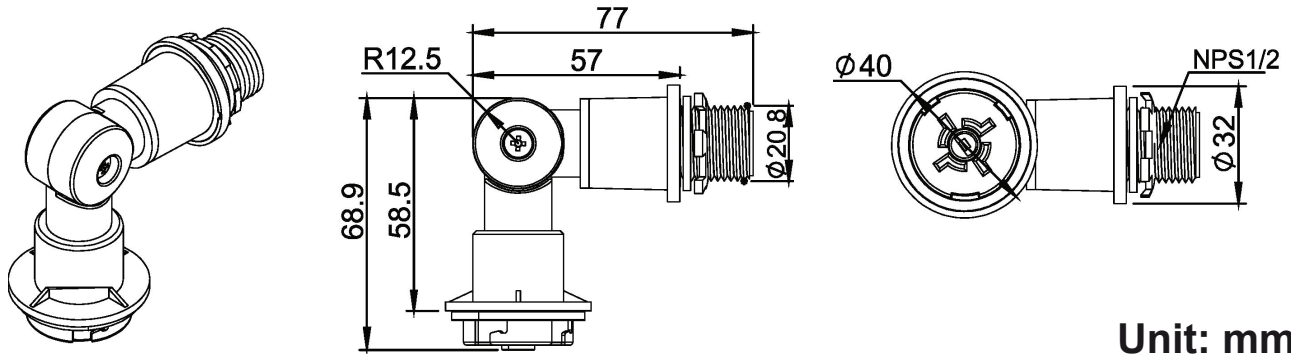


Dimensions



Wiring Diagrams

