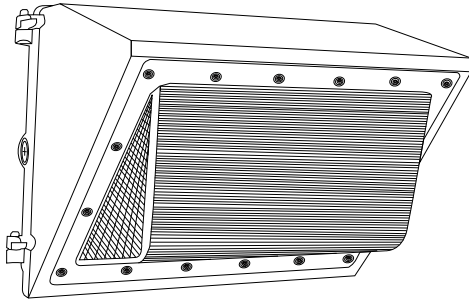


Pre-Select

**3 Wattage
3 CCT**

LED Wall Pack

Features:



- ▶ Unique Die Cast Aluminum Heat Sink
- ▶ 3 Wattage & 3 CCT Pre-Selectable
- ▶ High Transmittance Polycarbonate Lens
- ▶ Lumen Efficacy 130 Lms Per Watt
- ▶ ETL ; DLC 5.1 Premium Version
- ▶ IP65 Rated
- ▶ Build-in Photocell



Photocell



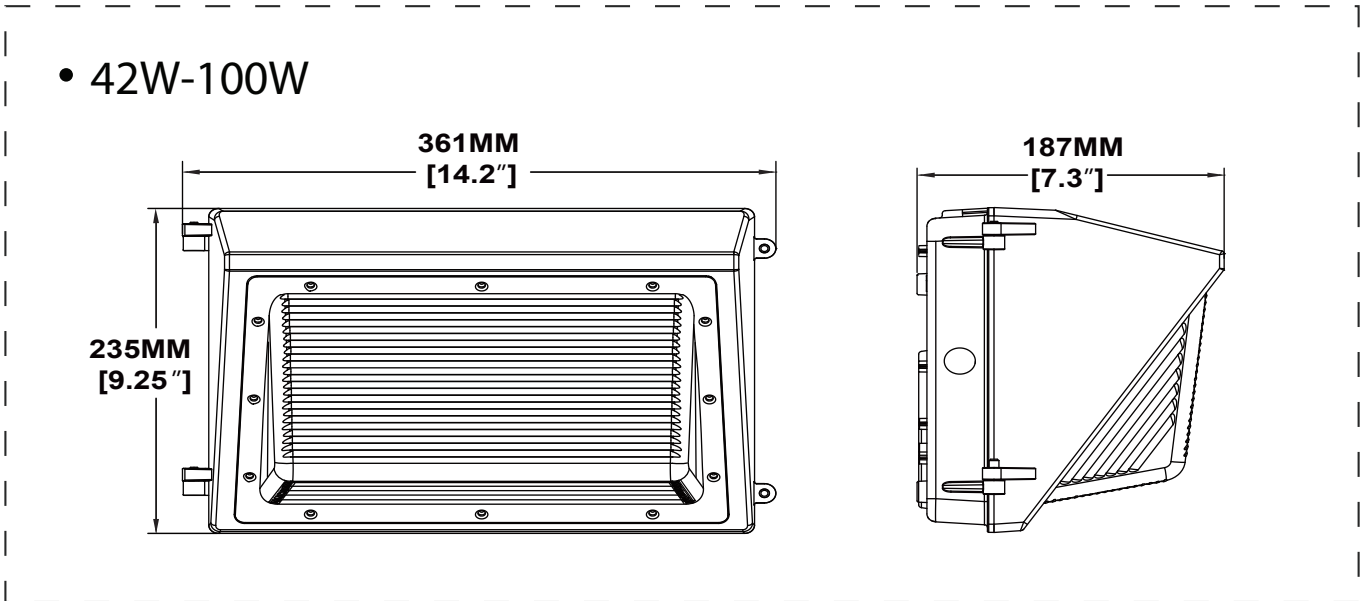
Beam Angle: 110°

Anti-glare Lens

High Efficacy
>130 Lms Per Watt

120-347V
6kV Surge Protection

Dimensions:



Specifications:

Product No.	FDWP-42-50-60-3CCT-120-347V-D				FDWP-60-80-100-3CCT-120-347V-D			
Pre-selected Rated Power	42W	50W	60W		60W	80W	100W	
Rated Current	Rated Power				Rated Power			
	Voltage	42W	50W	60W	Voltage	60W	80W	100W
	120V	0.38A	0.45A	0.51A	120V	0.49A	0.67A	0.83A
	277V	0.15A	0.18A	0.21A	277V	0.21A	0.29A	0.36A
	347V	0.12A	0.14A	0.17A	347V	0.17A	0.23A	0.29A
Lumens Output	Rated Power				Rated Power			
	CCT	42W	50W	60W	CCT	60W	80W	100W
	3000K	6200lm	7300lm	8200lm	3000K	9300lm	11700lm	13400lm
	4000K	6700lm	7400lm	8400lm	4000K	10300lm	12000lm	14700lm
	5000K	6300lm	7400lm	8200lm	5000K	9500lm	11900lm	13700lm
Pre-selected CCT	3000K		4000K		5000K			
Efficacy	>130 Lms Per Watt							
CRI	>70							
Lifespan	50,000+ hours							
Dimmable	0-10V							
IP Rating	IP65							
Beam Angle	110 Degree							
Input Voltage	120-347Vac							
Power Factor	>0.9							
Housing	Aluminum Die-Casting							
Lens	Clear PC							
Surge Protection	6kV							
Certifications	ETL ; DLC 5.1 Premium Version							
Operating Temperature	-40° ~ 131° F (-40° ~ 55° C)							
Warranty	5 years							

Function Options:



Photocell



Shorting Cap

Diagram:

