

FDPL-107-LED-*K-WH SLIM SURFACE

2.2W DC12V Super Thin Dimmable LED Puck Light

Features

Product Specification:

A Multi-faceted fixture interior engineered to maximize LED module performance.

B. LED module designed to deliver maximum light levels to work surface without fixture glare.

C. Opaque white polycarbonate frosted lens finish provides maximum optical comfort and effective light distribution.

D. Highly efficient 3000K leds provide Warm White light (80+ cRI).

Operating Temperature

-20° C ~ 40° C (-4° F ~ 104° F)

Environment

- For indoor use only.
- Suitable for wet locations.

Constructions:

A. Formed fixture pan with access holes to junction box.

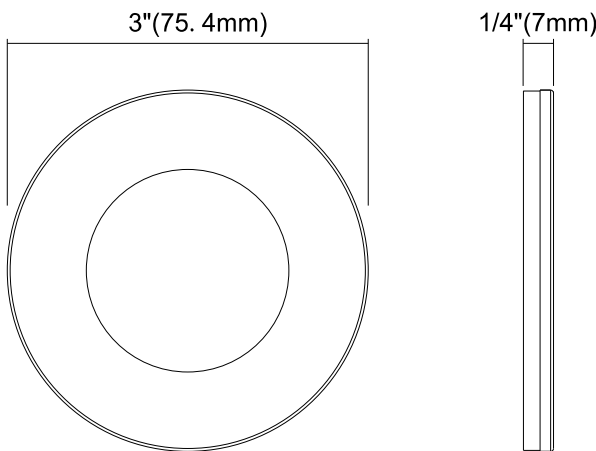
B. Aluminum LED module tray directs heat away from electronic components

C. Tool-less access to fixture components with removal of 3 decorative nuts

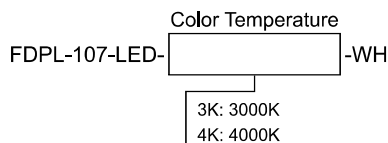
SPECIFICATION	
Application	Puck Lite
Approved Location	Indoor
Beam Angle	120°
CCT	3000° K / 4000° K
Certification	cETLus
Class II	Yes
Colour	BK / BN / WH
CRI	80
Dimming	Yes
Dimming Tech	TRIAC/ELV
Input Voltage	DC12V
Lumens	150Lm / 170 Lm
Lumens per Watt	68
Power Factor	>0.9
Projected Life	70% @ 50,000 hrs
Warranty	Lifetime
Wattage	2.2W



For additional options please consult your representative .
Due to our continued efforts to improve our products , products specifications are subject to change without notice.



Ordering Guide



Accessories



FDPL-T-BK
Super thin puck light trim-Black



FDPL-T-BN
Super thin puck light trim-Brush nickel