

6" LED Flush Mount, Round

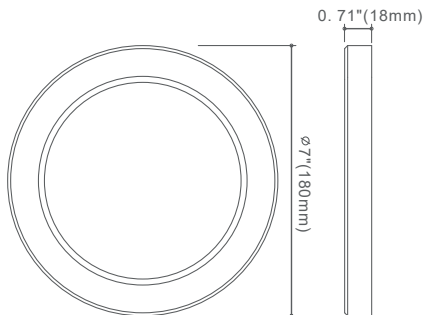


Features

- Edge-lit technology, no glare or dark spots, instant-on
- This 5/8" thick luminaire is easy to install on standard J-boxes with mounting bracket
- Construction: plastic with white translucent acrylic lens
- Dimming: TRIAC down to 10%
- Suitable for WET LOCATION
- Rated for a long life - over 50,000 hours
- Field selectable 2700K, 3000K, 3500K, 4000K, 5000K



DIMENSIONS



INCLUDED IN BOX

- 6" LED Flush Mount, Round
- Mounting bracket to J-Box
- Two J-box Screws
- Three Wire Nuts

Accessories



SPECIFICATIONS	
Model	FDFM-15W-LED-5CCT-120V-D
Watts	15W
CRI	90Ra
Color Temperature(K)	Pre-Select 5 CCT 2700K, 3000K, 3500K, 4000K, 5000K
Light Output(lm)	985lm
Default Driver Input	AC120V, 60Hz
Dimming	Triac Dimming
Power Factor	>0.9
Approved Location	Wet Location
Operating Temp.	(-4°F~104°F) -20~40°C
Beam Angle	120°

PACKAGE	
Weight.(g)	330g
Qty/CTN (pcs)	20pcs/CTN
Box Dimension	390*270*215mm
Gross Weight	7.8kg/CTN

Installation

3 & 4" J-Box

Accessories included:
Attach mounting bracket to J-box
Click downlight into mounting bracket

Mounting Bracket J-Box Screws Wire Nuts

4" & 6" Housing

Accessories included
Connect E26 adapter to the LED adapter
Insert mounting clips and push downlight up until flush with ceiling

E26 Adapter Mounting Clips for 7"/9" LED Adapter