

# 6" LED Flush Mount, Round

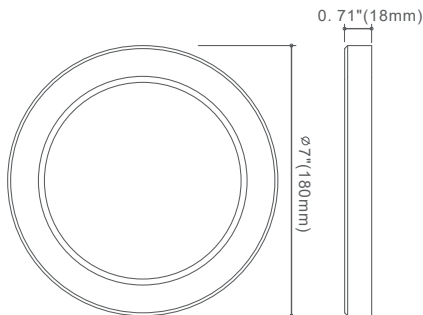


## Features

- Edge-lit technology, no glare or dark spots, instant-on
- This 5/8" thick luminaire is easy to install on standard J-boxes with mounting bracket
- Construction: plastic with white translucent acrylic lens
- Dimming: TRIAC down to 10%
- Suitable for WET LOCATION
- Rated for a long life - over 50,000 hours
- Field selectable 2700K, 3000K, 3500K, 4000K, 5000K



## DIMENSIONS



## INCLUDED IN BOX

- 6" LED Flush Mount, Round
- Mounting bracket to J-Box
- Two J-box Screws
- Three Wire Nuts
- E26 Adapter
- Mounting Clips for 6" /7" /9"
- Mounting Clip Screw
- LED Adapter

SPECIFICATIONS	
Model	FDFM-15W-LED-5CCT-120V-D
Energy Star Unique ID	3629534
Watts	15W
CRI	CRI90+
Color Temperature(K)	Pre-Select 5 CCT 2700K, 3000K, 3500K, 4000K, 5000K
Lumen Output (lm)	1230lm
Default Driver Input	AC120V, 60Hz
Dimming	Triac Dimming
Power Factor	>0.9
Approved Location	Wet Location
Operating Temp.	(-4°F~104°F) -20~40°C
Beam Angle	120°

PACKAGE	
Weight.(g)	330g
Qty/CTN (pcs)	20pcs/CTN
Box Dimension	390*270*215mm
Gross Weight	7.8kg/CTN

## Installation

**3 & 4" J-Box**

Accessories included:  
Attach mounting bracket to J-box  
Click downlight into mounting bracket

Mounting  
Bracket

J-Box  
Screws

Wire  
Nuts

**4" & 6" Housing**

Accessories included  
Connect E26 adapter to the LED adapter  
Insert mounting clips and push downlight up until flush with ceiling

E26  
Adapter

Mounting Clips  
for 7"/9"

LED  
Adapter