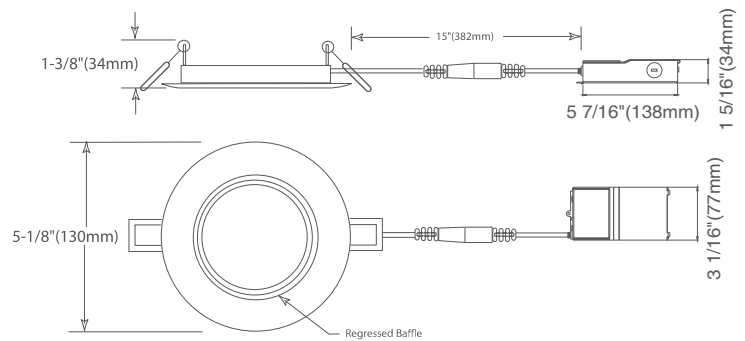




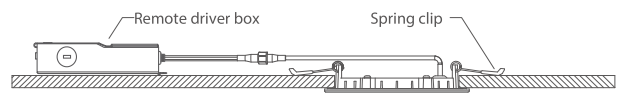
Baffle Trim Design

## Dimension



## Installation

Cut Hole Size  
Ø4 1/4" (108mm)



## Features

- \* Regressed lens and Baffle Trim Design
- \* Edge-lit technology, no glare or dark spots, instant-on
- \* Pre-Select 5CCT 2700K, 3000K, 3500K, 4000K, 5000K
- \* 90CRI+
- \* No existing recessed housing or junction box required
- \* Fixture will not fit into existing housing or junction boxes
- \* Suitable for WET LOCATION
- \* IC rated for direct contact with insulation
- \* 10%-100% dimming capability, this fixture is compatible with industry standard TRIAC/ELV dimmers
- \* Rated for a long life - 50,000 hrs

## Accessories

### Extension Cable



4" Flexible Connector, For use with Slim LED Fixtures  
6" Flexible Connector, For use with Slim LED Fixtures  
10" Flexible Connector, For use with Slim LED Fixtures  
20" Flexible Connector, For use with Slim LED Fixtures

### Goof Ring



4" Goof Ring, For use with Slim LED Fixtures

### Mounting Plate



a 4" new construction pre-mounting plate opening Ø4-1/4" (108mm)



a 3 3/4"/6" new construction pre-mounting plate opening Ø3" (75mm), Ø4-3/8" (110mm), Ø6-1/4" (160mm)



a 4" new construction pre-mounting plate with collar for use with screw down "C" style remodel housings opening Ø4-3/8" (110mm)

SPECIFICATIONS	FDLED-4-B12W-5CCT-WH
Energy Star Unique ID	3798828
Lumens	985lm
Watts	12W
Efficacy	82lm/w
CRI	CRI90+
CCT	Pre-Select 5CCT - 2700K, 3000K, 3500K, 4000K, 5000K
Input Volts & Frequency	120V 60Hz
Power Factor	>0.9
Operating Temp.	(-4°F~104°F) -20~40°C
Beam Angle	120°
Dimming	YES