

# 2" Recessed Downlight



## Features

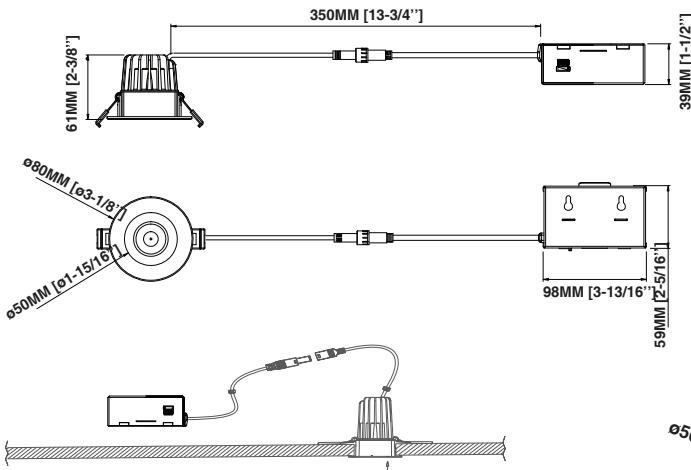
- \*Pre-Select 5 CCT 2700K /3000K/3500K/4000K /5000K
- \* Durable Aluminum body with adjustable gimbal
- \* Fast and easy snap-in installation
- \* Beam Angle 38°
- \* IC rated for direct contact with insulation
- \* No housing required
- \* Air Tight
- \* 10-100% dimming capability this fixture is compatible with industry standard TRIAC/ELV dimmers
- \* Lifespan - over 50,000 hours
- \* Suitable for WET LOCATION
- \* Input voltage: AC 120V 60Hz



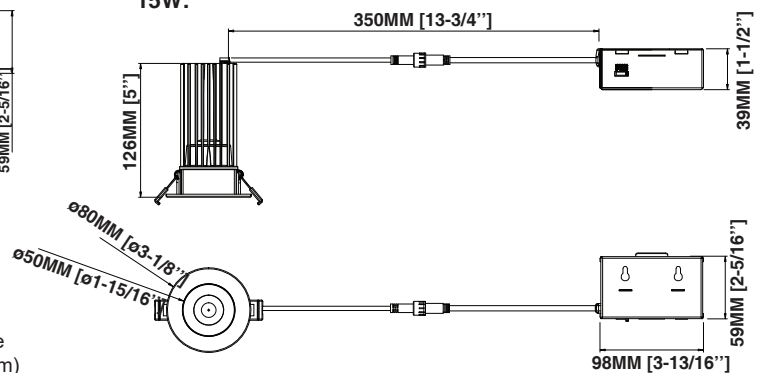
SPECIFICATIONS		
Model	FDRD-2-8W-5CCT-120V-WH-R FDRD-2-8W-5CCT-120V-BK-R	FDRD-2-15W-5CCT-120V-WH-R
Energy Star Unique ID	3627151	3844962
Watts	8W	15W
Lumen Output (lm)	660lm	1230lm
CRI	CRI90+	
Color Temperature(K)	Pre-Select 5 CCT 2700K /3000K/3500K/4000K /5000K	
Default Driver Input	AC120V,60Hz	
Dimming	Triac Dimming 10-100%	
Power Factor	>0.9	
Approved Location	Wet Location	
Air Tight	Yes	
IC Rated	Yes	
Operating Temp	(-4°F~104°F) -20°C~40°C	
Beam Angle	38°	

## DIMENSION

8W:



15W:



## OPTIONAL ACCESSORIES

### Mounting Plate



**FD-UNMP (SKU#101078)**

Universal Mounting Plate, compatible with 2", 3", 3.5", 4" Light Panel and Downlights

### Extension Cables



10ft flexible connector, for use with Gimbal/ slim LED fixtures



20ft flexible connector, for use with Gimbal/ slim LED fixtures