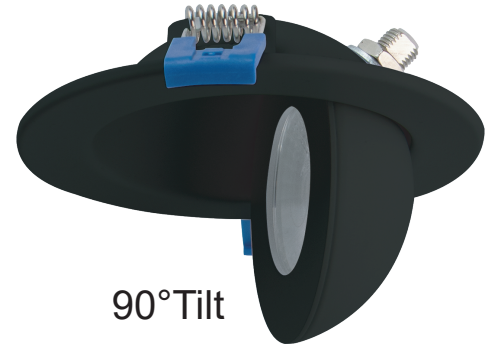


Pre-Select 5 CCT 3" LED Floating Gimbal

FDFG-3-8W-5CCT-WH
SKU#101249

FDFG-3-8W-5CCT-BK
SKU#101250



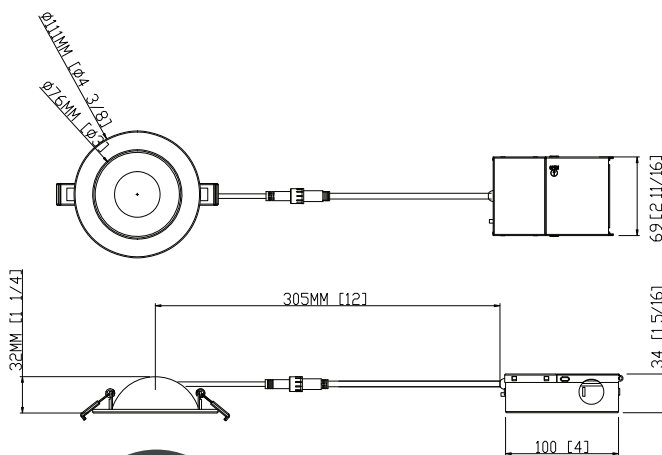
90°Tilt

Features

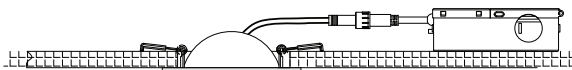
- * Larger driver box for more wiring space
- * Ideal for sloped ceilings, wall washing, highlighting artwork, task or general lighting
- * Type IC, Air-Tight & Damp - No Housing Required
- * 1 3/8" Deep - Fits in 1" ceiling space
- * Driver Inside Connection Box - No Junction Box Needed
- * Rated for long life - over 50,000 hours



Dimensions



Cut Hole Size
Ø3-1/2" (90mm)



SPECIFICATIONS	
Model	FDFG-3-8W-5CCT-WH / FDFG-3-8W-5CCT-BK
Energy Star Unique ID	3798826
Watts	8W
CRI	CRI90+
Color Temperature(K)	Pre-Select 5CCT - 2700K, 3000K, 3500K, 4000K, 5000K
Lumen Output (lm)	700lm
Default Driver Input	AC120V,60Hz
Dimming	Triac Dimmers 10% - 100%
Power Factor	>0.9
Approved Location	Insulated Ceiling & Damp Location
Air Tight	Yes
Operating Temp	(-4°F~104°F) -20~40°C
Beam Angle	38°

PACKAGE	
Weight(g)	400g
Qty/CTN (pcs)	18pcs/CTN
Box Dimension	375*325*325mm
Gross Weight	8.7kg/CTN

INCLUDED IN BOX

- 3" LED Floating Gimbal with Remote Driver

OPTIONAL ACCESSORIES

Mounting Plates



3"/4"/6" new construction pre-mounting plate opening Ø3" (75mm), Ø4-3/8" (110mm), Ø6-1/4" (160mm)

Flexible Connector



4ft/ 6ft/ 10ft/ 20ft Flexible Cable