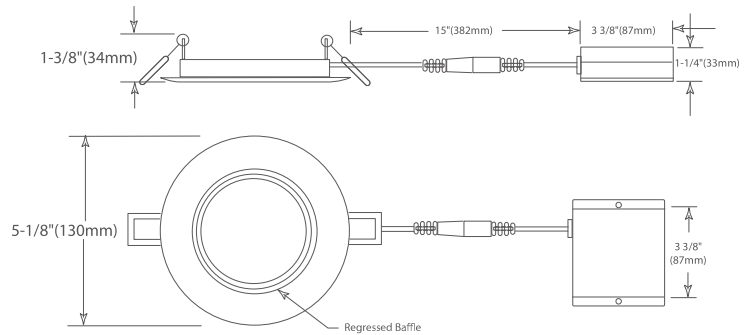




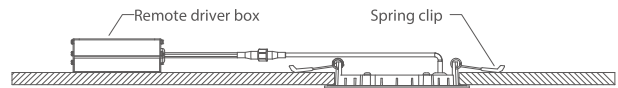
Baffle Trim Design

Dimension



Installation

Cut Hole Size
Ø4 1/4" (108mm)



Features

- * Regressed lens and Baffle Trim Design
- * Edge-lit technology, no glare or dark spots, instant-on
- * Pre-Select 5CCT 2700K, 3000K, 3500K, 4000K, 5000K
- * 80CRI
- * No existing recessed housing or junction box required
- * Fixture will not fit into existing housing or junction boxes
- * Suitable for WET LOCATION
- * IC rated for direct contact with insulation
- * 10%-100% dimming capability, this fixture is compatible with industry standard TRIAC/ELV dimmers
- * Rated for a long life - 50,000 hrs

Accessories

Extension Cable



- 4" Flexible Connector, For use with Slim LED Fixtures
- 6" Flexible Connector, For use with Slim LED Fixtures
- 10" Flexible Connector, For use with Slim LED Fixtures
- 20" Flexible Connector, For use with Slim LED Fixtures

Goof Ring



4" Goof Ring, For use with Slim LED Fixtures

Mounting Plate



a 4" new construction pre-mounting plate opening Ø4-1/4" (108mm)



a 3 3/4"/6" new construction pre-mounting plate opening Ø3"(75mm), Ø4-3/8"(110mm), Ø6-1/4"(160mm)



a 4" new construction pre-mounting plate with collar for use with screw down "C" style remodel housings opening Ø4-3/8" (110mm)

SPECIFICATIONS	FDLED-4-B9W-5CCT-WH
Lumens	670lm
Watts	9W
Efficiency	70.5m/w
CRI	80
CCT	Pre-Select 5CCT - 2700K, 3000K, 3500K, 4000K, 5000K
Input Volts & Frequency	120V 60Hz
Power Factor	>0.9
Operating Temp.	(-4°F~104 °F) -20~40°C
Beam Angle	120°
Dimming	YES