

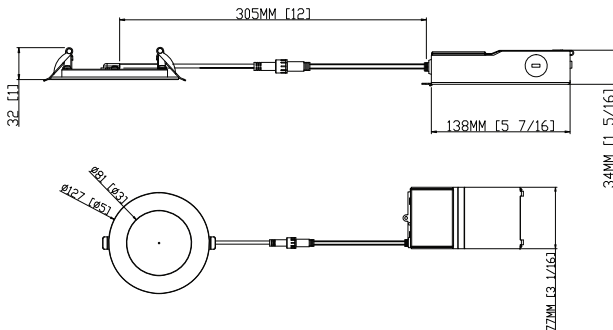
Low-p profile, edge-lit design

Features

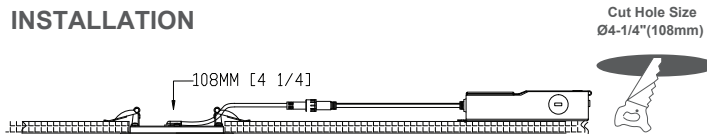
- Edge-lit technology, no glare or dark spots, instant-on
- No existing recessed housing or junction box required
- Dimming: TRIAC 10% - 100%
- IC rated for direct contact with insulation
- Suitable for Damp Location
- Rated for a long life - over 50,000 hours
- 5-color field selectable CCT - 2700K, 3000K, 3500K, 4000K, 5000K



DIMENSIONS



INSTALLATION



SPECIFICATIONS		
Model	FDLED-4-R9W-5CCT	FDLED-4-R12W-5CCT
Energy Star Unique ID	3798829	3627147
Watts	9W	12W
Lumen Output (lm)	740lm	985lm
Size	4 inch	
Default Driver Input	AC120V,60HZ	
Color Temperature(K)	Pre-Select 5CCT 2700K, 3000K, 3500K, 4000K, 5000K	
CRI	CRI80+	
Dimming	Triac Dimming	
Power Factor	>0.9	
Approved Location	Damp Location	
Air Tight	Yes	
Operating Temp.	(-4°F~104°F) -20~40°C	
Beam Angle	120°	

PACKAGE	
Weight.(g)	332g
Qty/CTN (pcs)	18pcs/CTN
Box Dimension	440*280*230mm
Gross Weight	7.58kg/CTN

Accessories

Extension Cables



4ft flexible connector, for use with Gimbal/slim LED fixtures



10ft flexible connector, for use with Gimbal/slim LED fixtures



6ft flexible connector, for use with Gimbal/slim LED fixtures



20ft flexible connector, for use with Gimbal/slim LED fixtures

Decorative Trim Ring



4 inch Round

Goof Ring



4" Goof Ring
Inside Diameter - 4 3/16" (106.8mm)
Outside Diameter - 5 3/4" (146mm)
Thickness - 1mm
for use with Gimbal/ slim LED fixtures

Mounting Plate



4" new construction pre-mounting plate
Opening Ø4 1/4"(108mm)



4" new construction pre-mounting plate with collar for use with screw down "C" style
Opening Ø4 3/8"(110mm)



3 1/4" new construction pre-mounting plate
opening Ø3"(75mm), Ø4-3/8"(110mm), Ø6-1/4"(160mm)