



Description

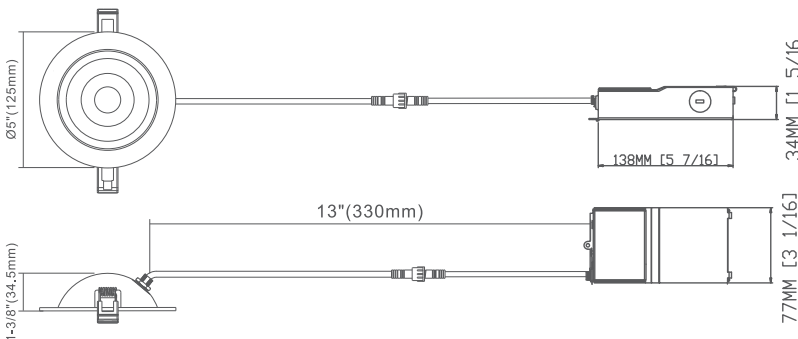
4" LED Floating Gimbal
Adjustable in any direction and easy to use

Features

- * Ideal for sloped ceilings, wall washing, highlighting artwork task or general lighting.
- * Type IC, Air-Tight - No Housing Required
- * Driver Inside Connection Box - No Junction Box Needed
- * Pre-Select 5 CCT - from 2700K, 3000K, 3500K, 4000K, 5000K
- * Rated for long life - 50,000 hours

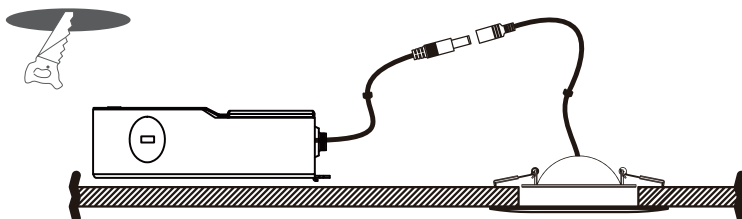


DIMENSIONS



INSTALLATION

Cut Hole Size
Ø4-1/4" (108mm)



SPECIFICATIONS	
Model	FDFG-4-9W-5CCT-BNG/-WH /-BK
Energy Star Unique ID	3798827
Watts Lumens	9W / 740 lm
CRI	CRI90+
Color Temperature(K)	Pre-Select 5CCT - 2700K, 3000K, 3500K, 4000K, 5000K
Default Driver Input	AC120V, 60Hz
Optional Dimmer Input	Triac Dimmers 10% - 100%
Power Factor	>0.9
Approved Location	Insulated Ceiling & Damp Locations
Air Tight	Yes
Operating Temp.	(-4°F to +104°F) -20 to +40°C
Beam Angle	38°

PACKAGE	
Weight.(g)	500g
Qty/CTN (pcs)	18pcs/CTN
Box Dimension	L420*W280*H265mm
Gross Weight	10.5kg/CTN

INCLUDED IN BOX

- 4" LED Floating Gimbal with Remote Driver



Color Choices



ACCESSORIES (Optional)

Mounting Plates

- 13" Long Flat Plate opening Ø4-1/4" (108mm)
- 26-1/2" Long Flat Plate opening Ø4-1/4" (108mm)
- 16-1/2" Long Flat Plate opening Ø4-1/4" (108mm)
- 3"4"/6" new construction pre-mounting plate opening Ø3"(75mm), Ø4-3/8"(110mm), Ø6-1/4"(160mm)

Flexible Connector

4ft/ 6ft/ 10ft/ 20ft
Flexible Cable

Emergency Backup

15W Emergency Driver
AC100-347 VAC 50/60Hz,
emergency time 90mins,
Battery Li-ion battery,
14.8V/2000mAh