

# FDL ULTRA Thin "Plus" LED Light Panel Series 4" & 6" LED Recessed Downlight



**2 HOUR FIRE RATING**  
 Tested to comply with UL 263,  
 ASTM E119 & CAN ULC S101

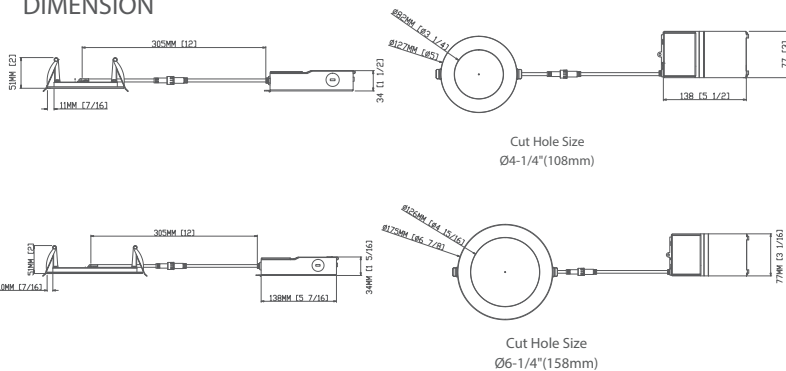
**Spring Height**  
**2 inch**

## FEATURES

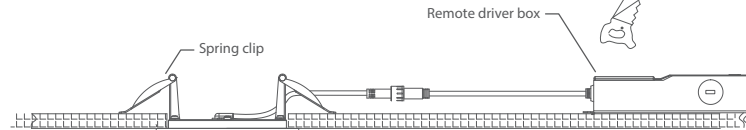
- 2-Hour fire rating
- Providing a reinforced and heat resistant steel casing
- Selectable color temperature: 2700K, 3000K, 3500K, 4000K & 5000K
- Junction box with commercial grade driver included
- Triac Dimmable, Certified airtight, IC rated
- Easy installation - NO ADDITIONAL BOX REQUIRED
- 5year warranty
- Tested to comply with UL263, ASTM E119 & CAN ULC S101



## DIMENSION



## INSTALLATION



SPECIFICATIONS		
Model	FDLED-FR-4-12W-5CCT-120V FDLED-FR-4-9W-5CCT-120V	FDLED-FR-6-15W-5CCT-120V
Energy Star Unique ID	3627149 3892153	3627150
Watts	9W/12W	15W
Lumen Output (lm)	738Lm/985Lm	1230lm
Size	4in & 6in	
Default Driver Input	AC120V,60HZ	
Color Temperature(K)	5-color field selectable CCT - 2700K, 3000K, 3500K, 4000K, 5000K	
CRI	CRI90+	
Dimming	Triac Dimming	
Power Factor	>0.9	
Approved Location	Wet Location	
Air Tight	Yes	
Operating Temp.	(-4°F~104°F) -20~40°C	
Beam Angle	120°	

## Accessories

### Extension Cables



10ft Flexible connector,  
for use with Gimbal/  
slim LED fixtures



20ft Flexible connector,  
for use with Gimbal/  
slim LED fixtures

### Mounting Plate



SKU#101007 is a 4" new construction  
pre-mounting plate  
Opening Ø4 1/4"(108mm)

### Decorative Trim Ring



Black (BK) Rubber Oil Bronze (BZ) Brushed Nickel (BN) Cooper (CP)

4 inch round

### Goof Ring



4" Goof Ring  
 Inside Diameter - 4 3/16"  
 Outside Diameter - 5 3/4"  
 Thickness - 1mm  
 for use with Gimbal / Slim LED fixtures