

4" LED Flush Mount, Round



SPECIFICATIONS	
Model	FDFM-10W-LED-5CCT-120V-D
Watts	10W
CRI	CRI90+
Color Temperature(K)	5-color field selectable CCT - 2700K, 3000K, 3500K, 4000K, 5000K
Lumen Output (lm)	600lm
Default Driver Input	AC120V, 60Hz
Dimming	Triac Dimming
Power Factor	>0.9
Approved Location	Wet Location
Operating Temp.	(- 4°F~104°F) -20~40°C
Beam Angle	120°

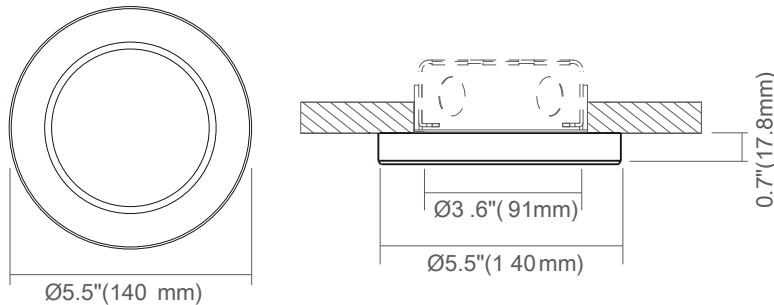
Features

- Edge-lit technology, no glare or dark spots, instant-on
- This 5/8" thick luminaire is easy to install on standard J-boxes with a quicksnap
- Construction: plastic with white translucent acrylic lens
- Dimming: TRIAC down to 10%
- Suitable for WET LOCATION
- Rated for a long life - over 50,000 hours
- Field selectable 2700K, 3000K, 3500K, 4000K, 5000K

PACKAGE	
Weight.(g)	150g
Qty/CTN (pcs)	20pcs/CTN
Box Dimension	310*262*165mm
Gross Weight	4.5kg/CTN



DIMENSIONS



INCLUDED IN BOX

- 4" Round Slim Surface
- Mounting bracket to J-Box
- Two J-box Screws
- T Wire Nuts
- E26 Adapter
- Mounting Clips for 4"
- Screw for Mounting Clips
- LED Adapter

Installation

3"/ 4" J-Box

Accessories included:
Attach mounting bracket to J-box
Click downlight into mounting bracket

Mounting Bracket

J-Box Screws

Wire Nuts

4" Housing

Accessories Included
Connect E26 adapter to the LED adapter
Insert mounting clips and push downlight up until flush with ceiling

E26 Adapter

Mounting Clips for 4"

Screw

LED Adapter