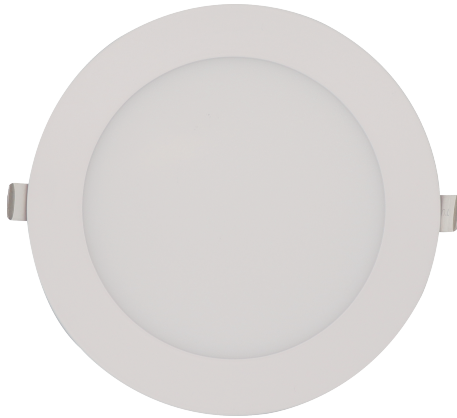


FDL ULTRA Thin "Plus" LED Light Panel Series 4" LED Recessed Downlight



Spring Height
2 inch

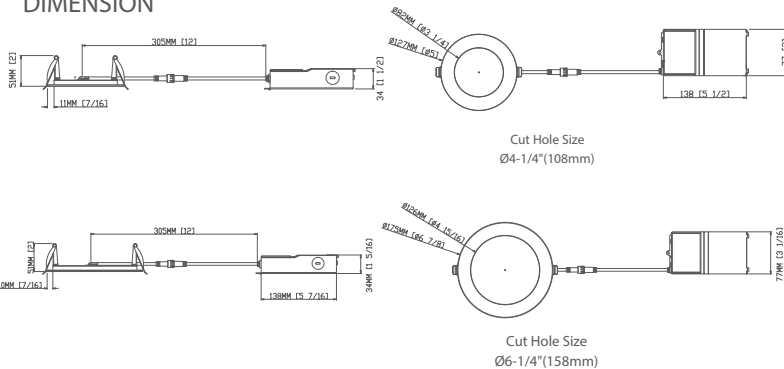
2 HOUR FIRE RATING
Tested to comply with UL 263,
ASTM E119 & CAN ULC S101

FEATURES

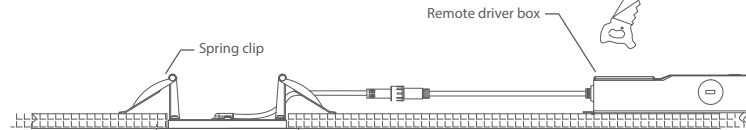
- 2-Hour fire rating
- Providing a reinforced and heat resistant steel casing
- Selectable color temperature: 2700K, 3000K, 3500K, 4000K & 5000K
- Junction box with commercial grade driver included
- Triac Dimmable, Certified airtight, IC rated
- Easy installation - NO ADDITIONAL BOX REQUIRED
- 5year warranty
- Tested to comply with UL263, ASTM E119 & CAN ULC S101



DIMENSION



INSTALLATION



SPECIFICATIONS	
Model	FDLED-FR-4-12W-5CCT-120V
Energy Star Unique ID	3627149
Watts	12W
Lumen Output (lm)	985Lm
Size	4in
Default Driver Input	AC120V,60HZ
Color Temperature(K)	5-color field selectable CCT - 2700K, 3000K, 3500K, 4000K, 5000K
CRI	CRI90+
Dimming	Triac Dimming
Power Factor	>0.9
Approved Location	Wet Location
Air Tight	Yes
Operating Temp.	(-4°F~104°F) -20~40°C
Beam Angle	120°

Accessories

Extension Cables



10ft Flexible connector,
for use with Gimbal/
slim LED fixtures



20ft Flexible connector,
for use with Gimbal/
slim LED fixtures

Mounting Plate



SKU#101007 is a 4" new construction
pre-mounting plate
Opening Ø4 1/4"(108mm)

Decorative Trim Ring



Black (BK) Rubber Oil Bronze (BZ) Brushed Nickel (BN) Cooper (CP)

4 inch round

Goof Ring



4" Goof Ring
Inside Diameter - 4 3/16"
Outside Diameter - 5 3/4"
Thickness - 1mm
for use with Gimbal / Slim LED fixtures