



LED Wall Pack-60 watts

Adjust Angle

SKU#104004





This LED Wall Pack with adjust angle with brand new design has upgraded for security lighting, it's widely used at pathway, hallway, perimeter, patio, entrance, stairway, house, garden, garage, yard, warehouse, factory, store, street, porch. With premium driver and Dust-to-Dawn photocell, this product lasts for 50000 hours and save up 80% on energy and operating costs. Inside with quality Lumileds LED as light sources, it's ideal solution to replace conventional fixtures.

- Dusk-to-Dawn photocell available - Auto turn on at dusk and off at dawn
- Unique slim shape design - Uniform lighting distribution via PC lens
- Easy and fast installation - Direct mounting on wall or with J-Box
- High efficiency output - light efficiency is up to 120LPW
- Waterproof IP65 rating - suitable for all kinds of weather
- Good energy saving - save 80% electricity cost compared to traditional lamp
- 5 Years Warranty for whole fixture and power supply

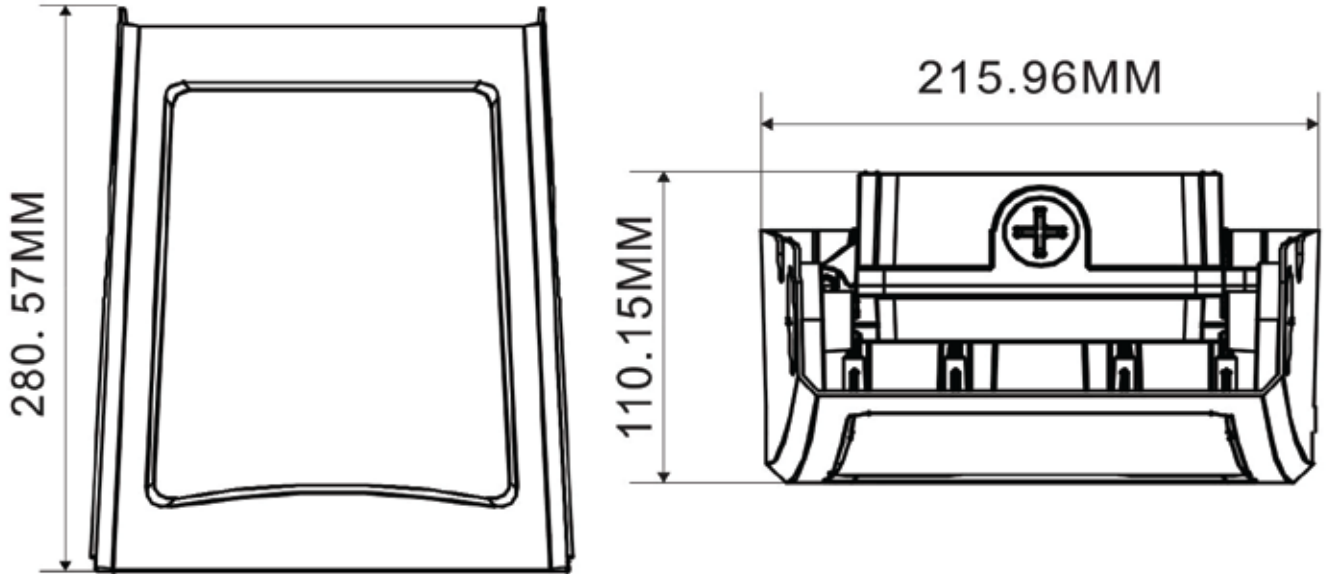
Specifications

Item No.	FDWPD2-60-LED-120-347V
System Power(±5%)	60W
Electrical Data	
Input Voltage	120-347 VAC
LED Driver	MINGLIGHT Driver
Power Frequency	50/60Hz
Power Factor	>0.9
THD	<20%
Optical Data	
System Efficacy	134(±5%) Lm/W tested based on 5000K Ra70
Luminous Flux (±5%)	7680LM
LED Chip	Lumileds SMD3030
Beam Angle	80°
Light Color (CCT)	5000K
CRI	>70 Ra
UGR	<19
Temperature Data	
IP Rate	IP65 Rated
Operating Temp	-40° ~ 131° F (-40° ~ 55° C)
Ambient Temp	-4° ~ 104° F (-20° ~ 40° C)
Storage Temp	-40° ~ 158° F (-40° ~ 70° C) R.H.≤85%
Lifespan	≥50000Hrs (Ta=30°C@L70) Operating
Fixture Material	Die casting Aluminium body
Certification	ETL, DLC
Warranty	5 Years
Dimension & Packing Data	
Product size (LxWxH)	281 x 216 x 110mm (11.06'' x 8.50'' x 4.33'')
Net Weight (Carton)	13.5 KGS (29.76 LBS)
Gross Weight (Carton)	15.0 KGS (23.07 LBS)
Carton size (LxWxH)	49.5*35*55cm (19.49*15.55*21.65 inch)
Qty/Carton	6 PCS

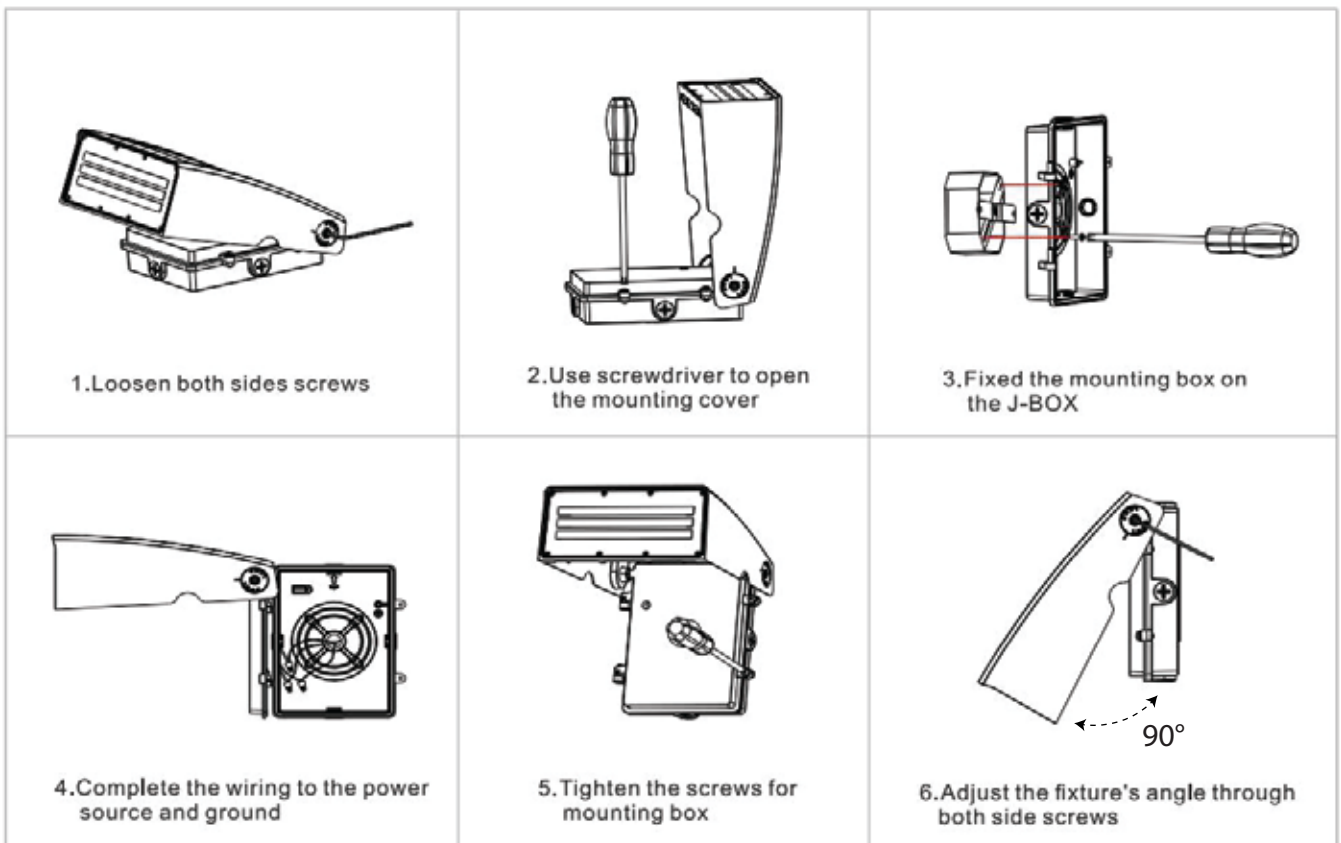
L.E.D. vs HPS / MH Equivalence

LED	60W
HPS / MH	250W

Dimensions



Installation Diagram



Technical Specifications

#Certificate

RoHS approved

This product is tested by independent lab. with all green material.

ETL / DLC approved

This product have passed ETL testing and is fully DLC approved.

IESNA LM-79 and LM-80 Testing

FDL fixture have been tested by independent lab. in accordance with IESNA LM-79 and LM-80 Testing

Color Stability:

LED color temperature is warranted to shift no more than 200K in CCT over a 50000 hours.

Color Uniformity:

FDL's range of CCT follows the guidelines of the American National standard for specification for the chromaticity of Solid State Lighting (SSL) Products, ANSI C78.377-2017

#Installation

IES Classification:

80° beam angles, the lighting output produces a oval shape distribution to cover the area.

Mounting:

This product is direct mounting on wall mounting or with J-box The application including Warehouse, patio, entrance, stairway, house, Garage, outdoor facilities.

#LED Characteristics

Lifespan

50000 hours LED lifespan based on IES LM-80 results and TM-21 Calculation.

Color Consistency

7-step MacAdam Ellipse binning to achieve consistent one by one color.

#Smart Engine

Dimming Driver

1-10V Dimming optional

Smart Sensor

Built-in Photocell


#IP Rating

Ingress Protection rating of IP65 IP65 for dust and water

Greenity:

Mercury or UV free. RoHS compliant components. Package boxes are made with recyclable material.

#Smart solution

Description	Pictures	Function
Photocell		Auto turn on at dusk/night and off at dawn/daytime

#Trouble Shooting

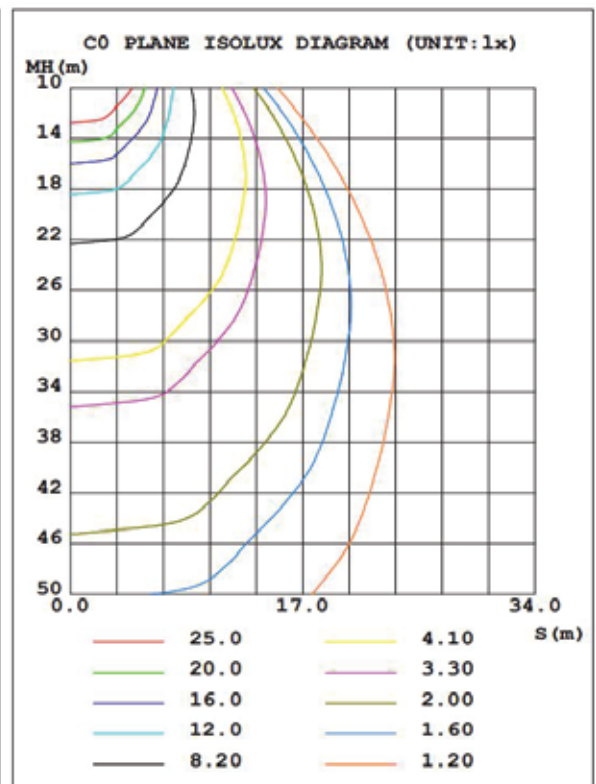
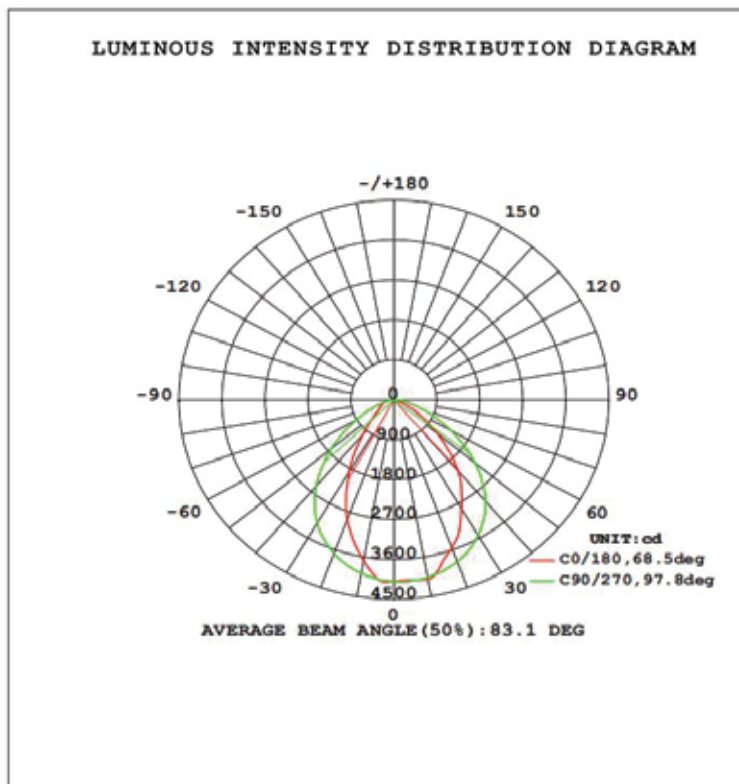
Problem	Possible Cause	Solutions
LEDs stop working	The power line is improperly connected.	Reconnect the power cable.
	The power plug is loose.	Firmly plug the power in.
	The LED driver malfunctions.	Replace with new driver.
	The LED chip is damaged.	Replace with new LEDs.
LEDs flash on and off	The output of the driver is abnormal.	Replace with new driver.
	The LED chip breaks down.	Replace with new LED chip.

#Warranty

FDL warrants that our LED products will be free from defect in material and workmanship for a period of 5 years from the data of delivery to the end user including coverage of light output, color stability, driver performance and fixture.

Photometrics

DATA OF LAMP		PHOTOMETRIC DATA				Eff: 121.30 lm/W
MODEL	WPD2-60W	I _{max} (cd)	4110	S/MH (C0/180)	0.84	
NOMINAL POWER (W)	60	LOR (%)	100.0	S/MH (C90/270)	1.18	
RATED VOLTAGE (V)	220	TOTAL FLUX (lm)	7411.3	η UP, DN (C0-180)	0.3, 54.0	
NOMINAL FLUX (lm)	7411.27	CIE CLASS	DIRECT	η UP, DN (C180-360)	0.5, 45.2	
LAMPS INSIDE	1	η up (%)	0.8	CIBSE SHR NOM	1.00	
TEST VOLTAGE (V)	220	η down (%)	99.2	CIBSE SHR MAX	1.10	



Suggested mounting height for best illumination effect: 10 to 23 feet (3 - 7 meters)