



Polycarbonate Reflector (Clear Len) for FDL Pro-Series UFO

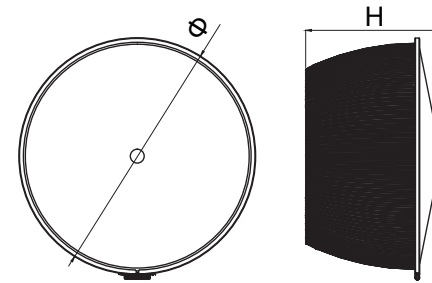
SKU#101361 FDUFO-PRO-PC-Reflector
User Manual



Factory Direct Lighting (2020) Ltd.
www.fdlighting.ca
Tel: 1-855-533-0743
1-905-944-1210

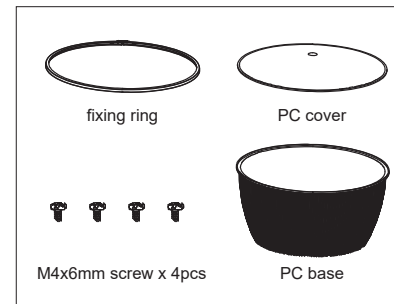
100 Shields Court Unit B
Markham, Ontario
Canada, L3R 9T5

Size

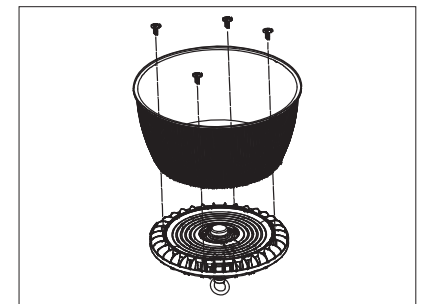


Φ	H
415 mm	235 mm

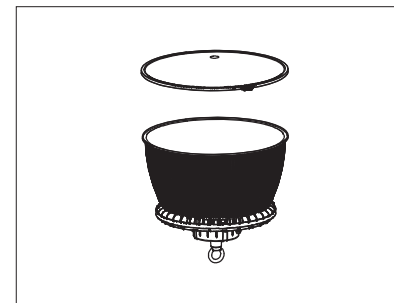
Installation



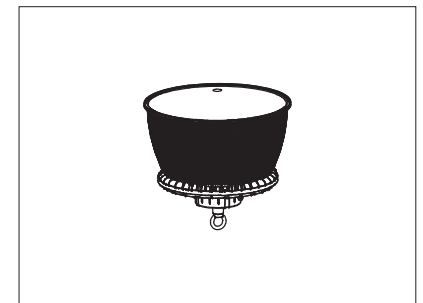
1.Prepare all accessories.



2.Assemble the PC base with screws.



3.Fix the PC cover with fixing ring.



4.Installation finished.