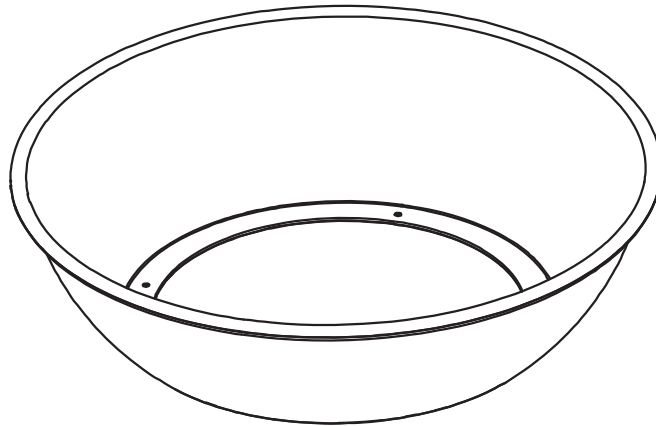




Aluminum Reflector for FDL Pro-Series UFO

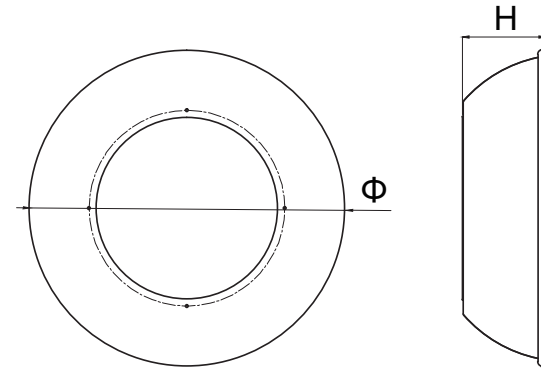
SKU#101363 FDUFO-PRO-AL-Reflector
User Manual



Factory Direct Lighting (2020) Ltd.
www.fdlighting.ca
Tel: 1-855-533-0743
1-905-944-1210

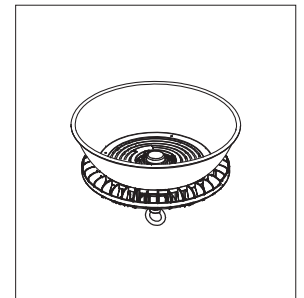
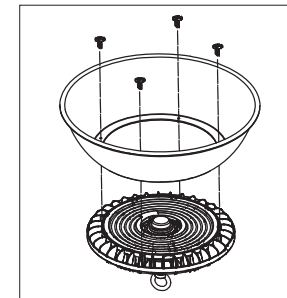
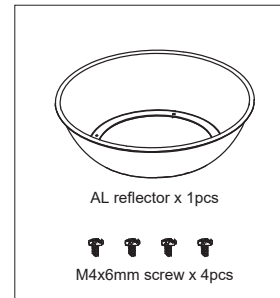
100 Shields Court Unit B
Markham, Ontario
Canada, L3R 9T5

Size



Φ	H
460.0 mm	121.5 mm

Installation



1.Prepare all acceseries.

2.Assemble the reflector with screws.

3.Installation finished.