



FDL Linear High-Bay

IMPORTANT

READ CAREFULLY BEFORE INSTALLING FIXTURE. RETAIN THESE INSTRUCTIONS FOR FUTURE REFERENCE.

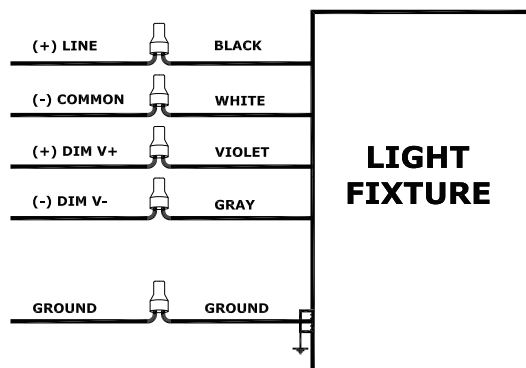
LGB fixtures must be wired in accordance with the National Electrical Code and all applicable local codes. Proper grounding is required for safety. THIS PRODUCT MUST BE INSTALLED IN ACCORDANCE WITH THE APPLICABLE INSTALLATION CODE BY A PERSON FAMILIAR WITH THE CONSTRUCTION AND OPERATION OF THE PRODUCT AND THE HAZARDS INVOLVED.

WARNING: Make certain power is OFF before installing or maintaining fixture.

0-10V DIMMABLE WIRING

Universal voltage driver permits operation at 120V thru 277V, 50 or 60 Hz. 0-10V control wires must be rated for 300V minimum. For 0-10V Dimming, follow the wiring directions as in fig. 1.

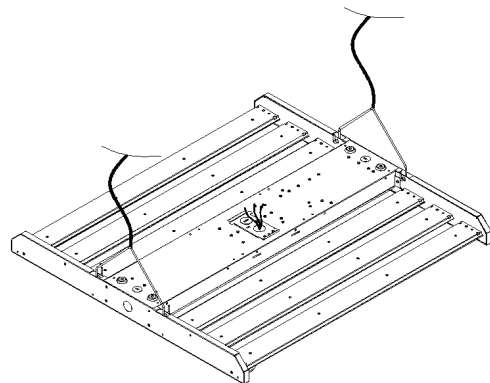
1. Connect the black fixture lead to the (+) LINE supply lead.
2. Connect the white fixture lead to the (-) COMMON supply lead.
3. Connect the GROUND wire from fixture to supply ground. Do NOT connect the GROUND of the dimming fixture to the output.
4. Connect the violet fixture lead to the (V+) DIM lead.
5. Connect the gray fixture lead to the (V-) DIM lead.



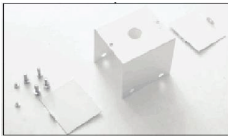
Mounting Information

A: FOR V-HOOK and CHAIN MOUNTING

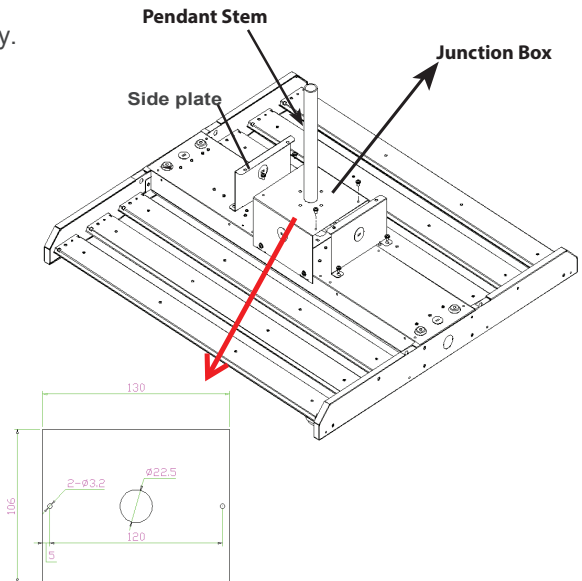
1. Fixture mounting height and spacing should be determined by application requirements.
2. There are one pair of V-Hooks and chains for mounting. Secure V-hooks through mounting hole at back of the fixture.
3. Remove assemble plate and feed supply wire with strain relief conduit connector through assemble plate and make electrical connections as shown in wiring diagram (page 2). Use approved wiring connectors and wire to local NEC codes. Push all wires back into housing. Be careful not to pinch wires.
4. Reinstall assemble plate.



B: FOR PENDANT MOUNTING The FD-PM are ordered separately.



1. Choose length of 1/2" NPS pedand stem (**supplied by others**)
2. Install pedant-mount kit(including: stem/ junction box/ screws and washers), see the right Fig
3. Feed wires through pedant stem and into junction box. Wire the housing leads to supply wires using UL listed wire connectors according to NEC and local codes in the junction box. Push all wires back into Junction box, install side plate of box with supplied screws. Be careful not to pinch wires.



SAFETY INSTRUCTIONS

WARNING: Risk of fire or electric shock. Suitable for Damp locations.

WARNING: Do not handle energized fixture when hands are wet, when standing on wet or damp surfaces, or in water.

WARNING: Vapor barrier must be suitable for 90 ° C.

WARNING: Fixture to be independently supported to building structure.

CLEANING & MAINTENANCE

CAUTION: Be sure fixture temperature is cool enough to touch. Do not clean or maintain while fixture is energized.

1. Clean lens & fixture with non-abrasive cleaning solution.
2. Do not open fixture to clean the LEDs. Do not touch the LEDs.

TROUBLESHOOTING

1. Check that the line voltage at fixture is correct. Refer to wiring directions.
2. Be sure the fixture is grounded properly.

Note: These instructions do not cover all details or variations in equipment nor do they provide for every possible situation during installation, operation or maintenance.