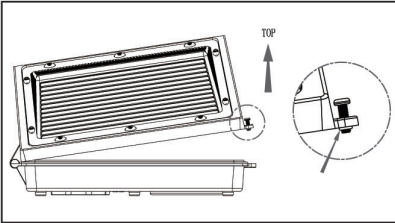


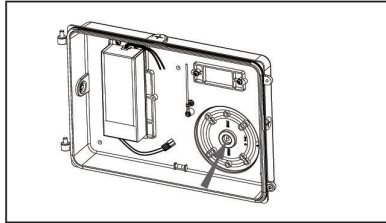
INSTALLATION GUIDE

V INSTALLATION

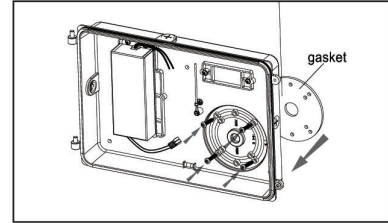
1. JUNCTION BOX MOUNTING



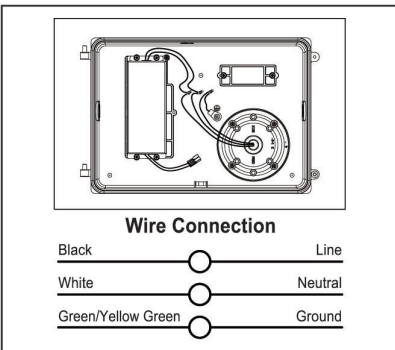
1. Loosen screws and remove the front lens set carefully from the back plate.



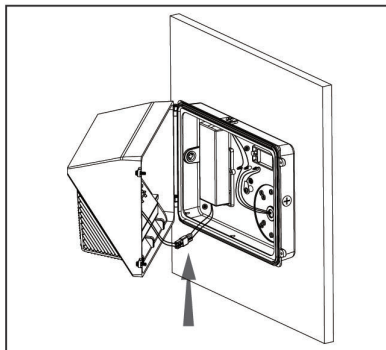
2. Drill appropriate knockouts (B) for wiring, the fixture supports standard 3 1/4" Junction box.



3. Attach the back plate on the wall, use the supplied gaskets for a weather tight seal.

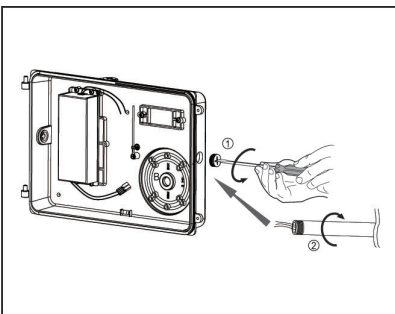


4. Finish wiring (Black for Line, White for Neutral and Green/Yellow Green wire for Ground).



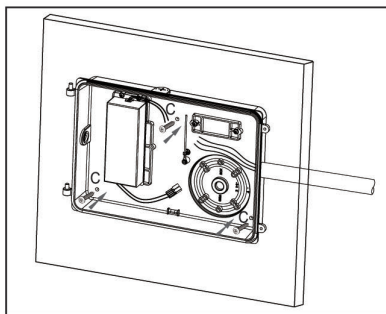
5. Replace the lens on all of the hinges, make connections and close the lens set then tighten the screws.

2. CONDUIT MOUNTING



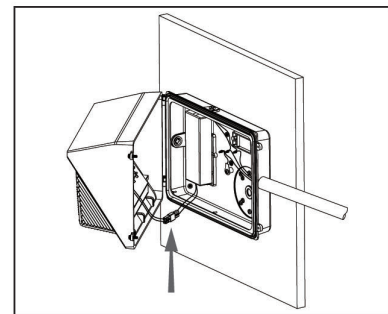
1. Loosen screws and remove the front lens set carefully from the back plate. (See step 1 above)

2. Remove 1/2" plug from where you intend to feed conduit.



3. Drilling out the holes (C) to secure it on the wall with choosing proper screws.

4. Finishing wiring (Black for line, White for neutral and Green/Yellow Green for ground). (See step 4 above)



5. Replace the lens set on the hinge and finish connection. Close the lens set and tighten the screws to fasten lens set to the back plate.