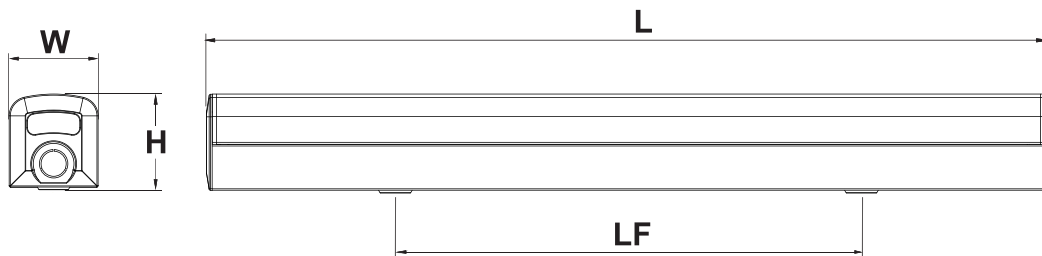


### DIMENSION & NOTICE:

#### DIMENSION:

L (mm)	W (mm)	H (mm)	LF (mm)
1131	66.5	68.5	870



LF: the length between mounting screw holes

#### SAFETY NOTICE:



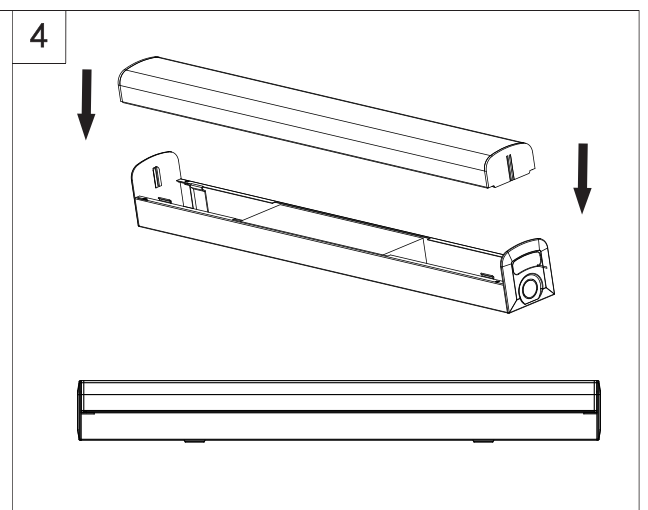
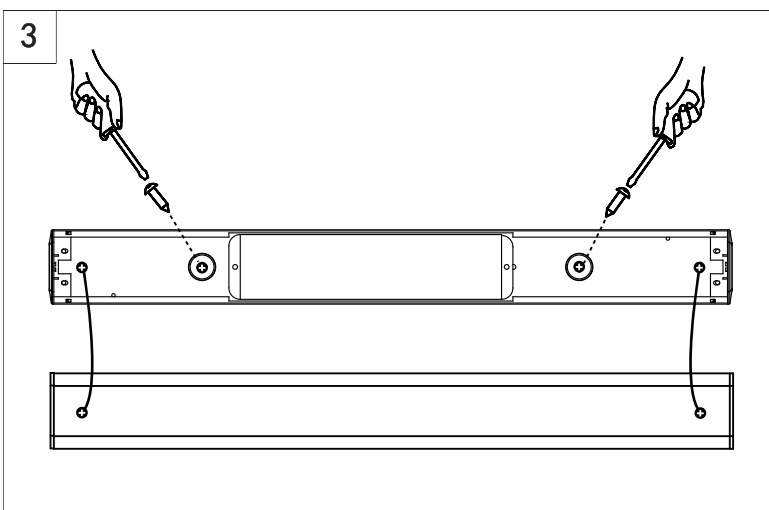
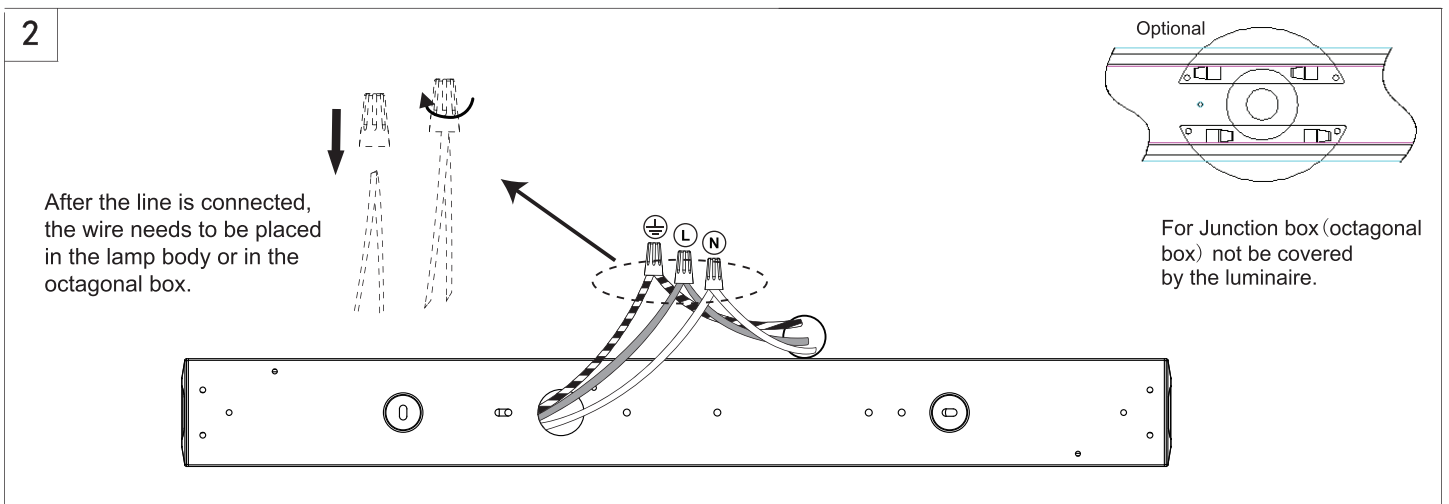
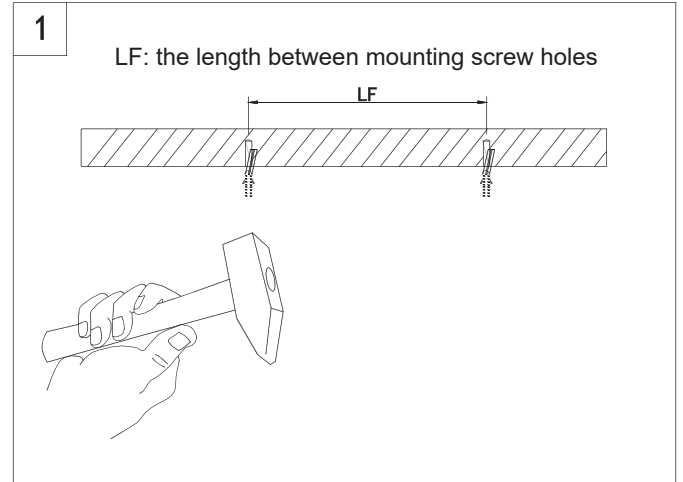
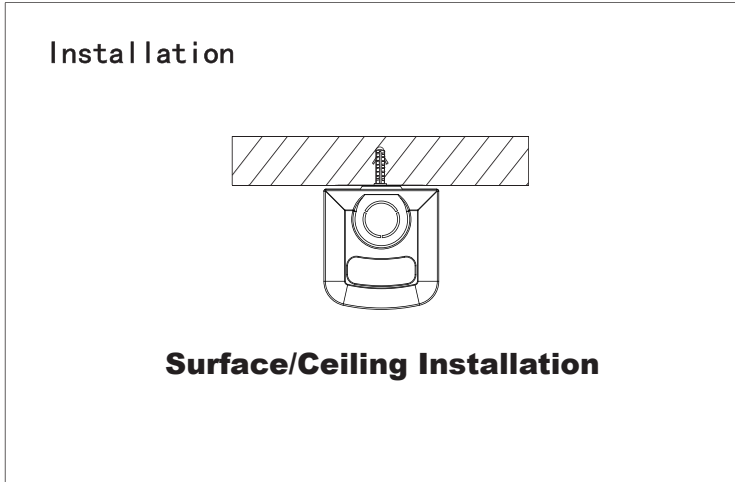
1. Please check and ensure the products have not in damage before use, if there any breakage please do not install and use.
2. Please keep the kids far away from the product and don't let them touch any live parts.
3. Please keep packing materials far away from kids when playing, to prevent kids careless putting packing material on their head or directly inhaling, swallowing, causing suffocation.
4. The installation of the product must be certified by professional electrician.
5. Forbid covering anything on product.
6. To ensure that the power cord has enough length and do not be subjected to tension or tangential force, avoid too much tension and power cord ties when mounting connection of light fittings.
7. To protect the eyes from LED light damage please avoid long time looking straight into the LED light-emitting surface.
8. Please be sure power is off before clean light fitting, use dry cloth to clean.  
Turn off electrical power at fuse or circuit breaker box before wiring fixture to the power supply.  
Turn off the power when you perform any maintenance.  
Verify that supply voltage is correct by comparing it with the luminaire label information.

## Wiring & Installation:

*CAUTION: Turn off electrical power at fuse or circuit breaker box before wiring fixture to the power supply.*

### Ceiling Installation:

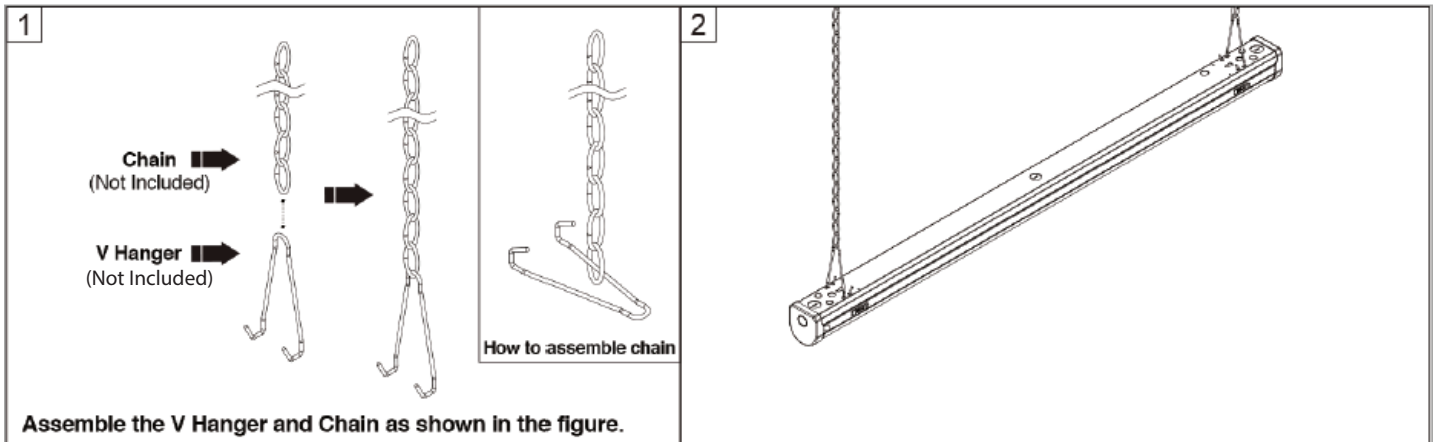
LF: the length between mounting screw



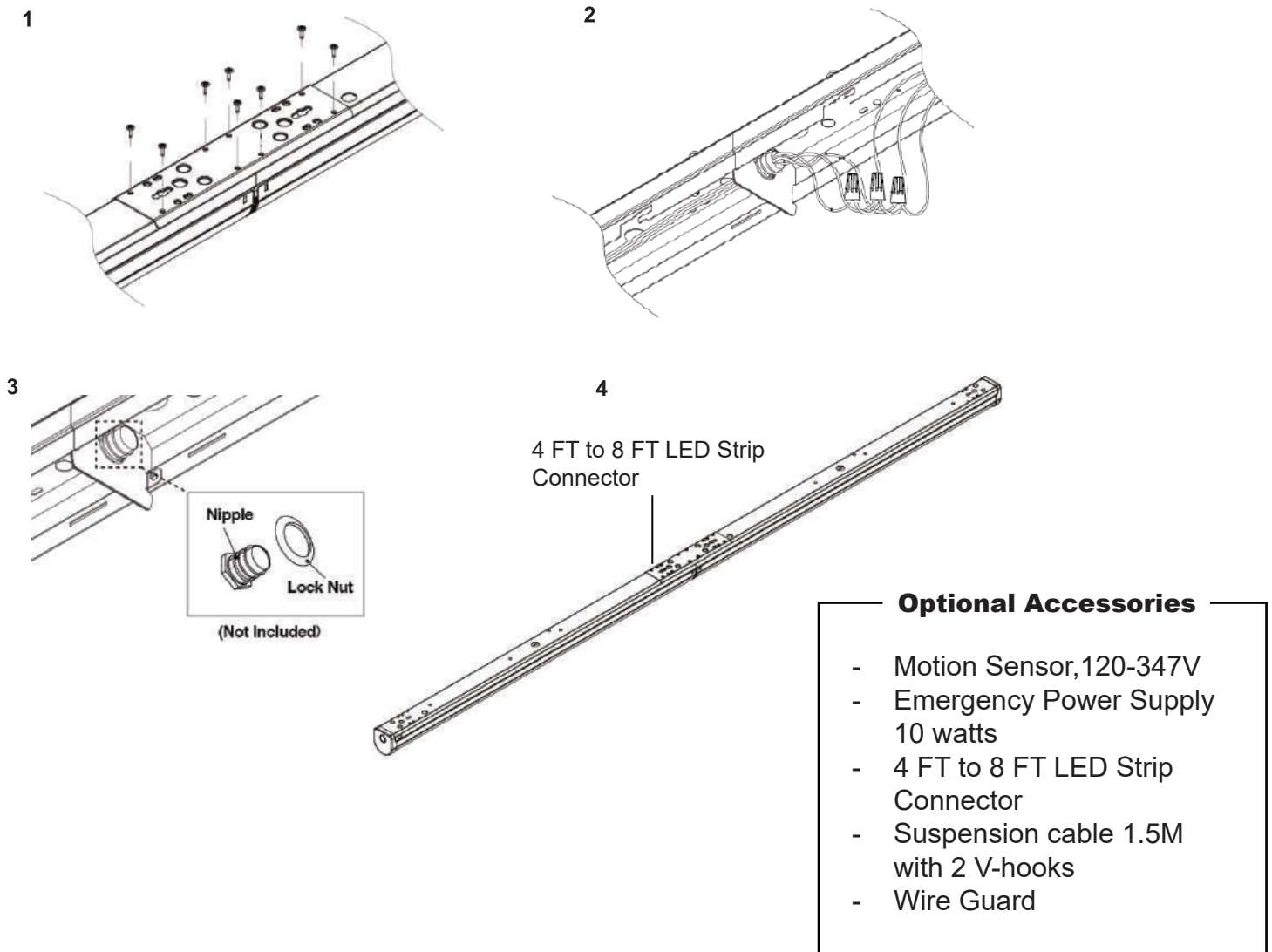
## Wiring & Installation:

**CAUTION:** Turn off electrical power at fuse or circuit breaker box before wiring fixture to the power supply.

### Chain Hanger:



### Continuous Row Mount - Surface Mount Application:



## Wiring & Installation:

**CAUTION:** Turn off electrical power at fuse or circuit breaker box before wiring fixture to the power supply.

### Wiring:

#### 0-10V DIMMABLE WIRING

Universal voltage driver permits operation at 120V thru 277V, 50 or 60 Hz. 0-10V control wires must be rated for 300V minimum. For 0-10V Dimming, follow the wiring directions as in fig. 1.

1. Connect the black fixture lead to the (+) LINE supply lead.
2. Connect the white fixture lead to the (-) COMMON supply lead.
3. Connect the GROUND wire from fixture to supply ground. Do NOT connect the GROUND of the dimming fixture to the output.
4. Connect the violet fixture lead to the (V+) DIM lead.
5. Connect the gray fixture lead to the (V-) DIM lead.

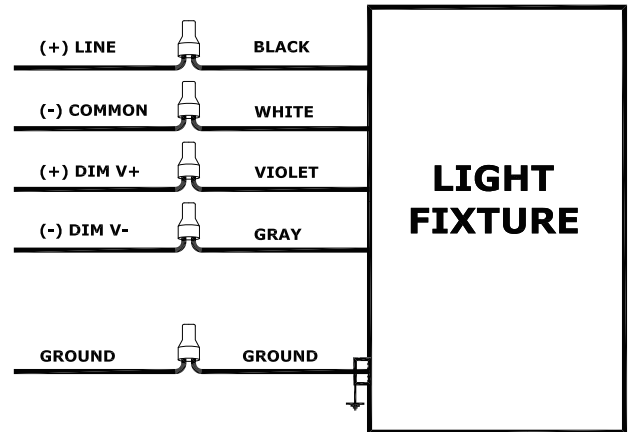


Fig 1

#### SENSOR INSTALLATION INSTRUCTION

1. Screw the bracket to the housing as shown in Fig.2 .
2. Attach the sensor to the bracket with screws as shown in Fig.3 .
3. Sensor wiring as shown in Fig.4.

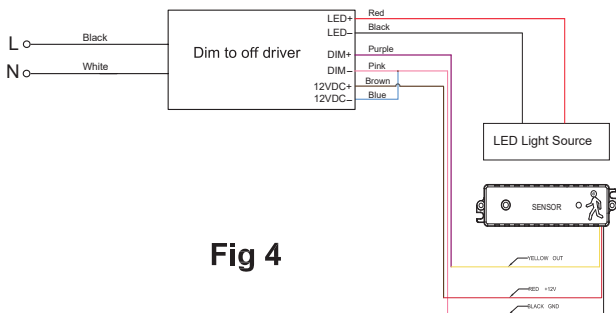


Fig 4

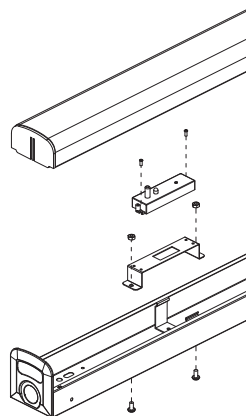


Fig 2

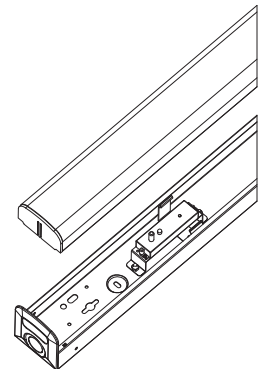


Fig 3

#### WIRE GUARD

1. Align the mounting holes on the housing and wire guard, then screw in place as shown in Fig.5 .
2. Repeat for other mounting holes.
3. Complete as shown in Fig. 6 .

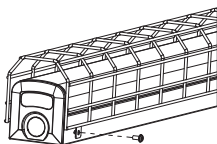


Fig 5

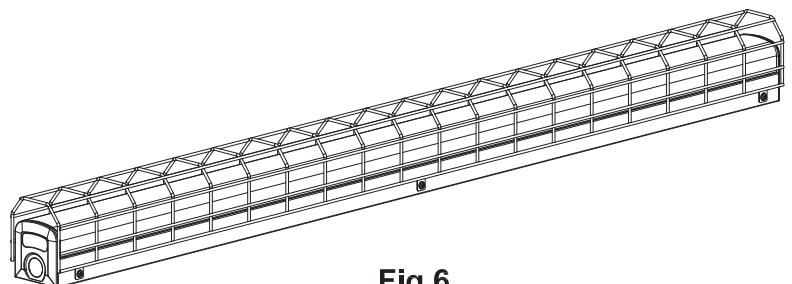


Fig 6