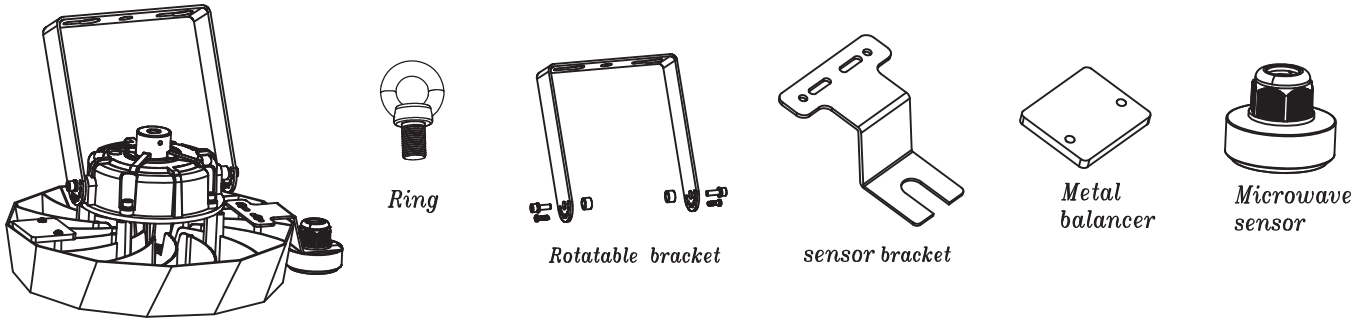
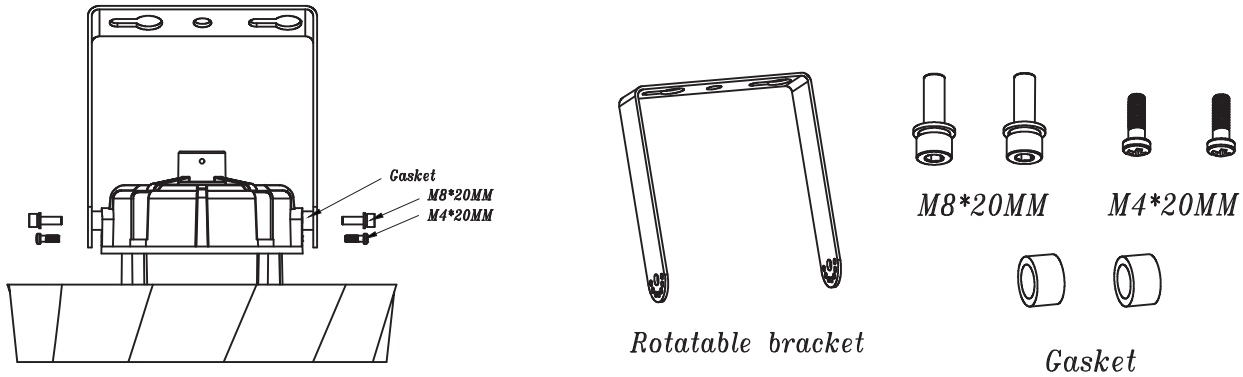


Installation Manual for Rotatable Bracket & Microwave Sensor with Metal Balancer

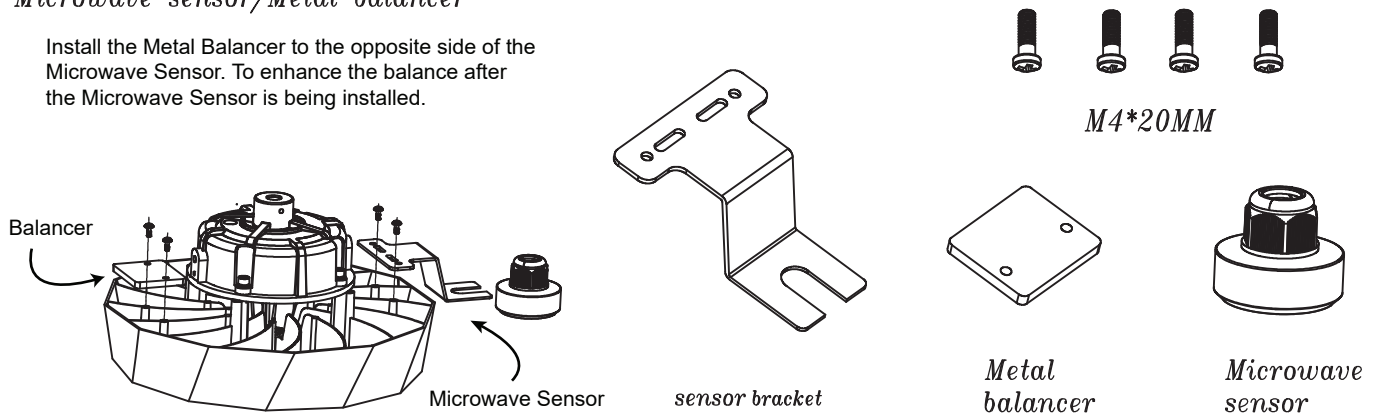


Rotatable bracket



Microwave sensor/Metal balancer

Install the Metal Balancer to the opposite side of the Microwave Sensor. To enhance the balance after the Microwave Sensor is being installed.



Wiring diagram

