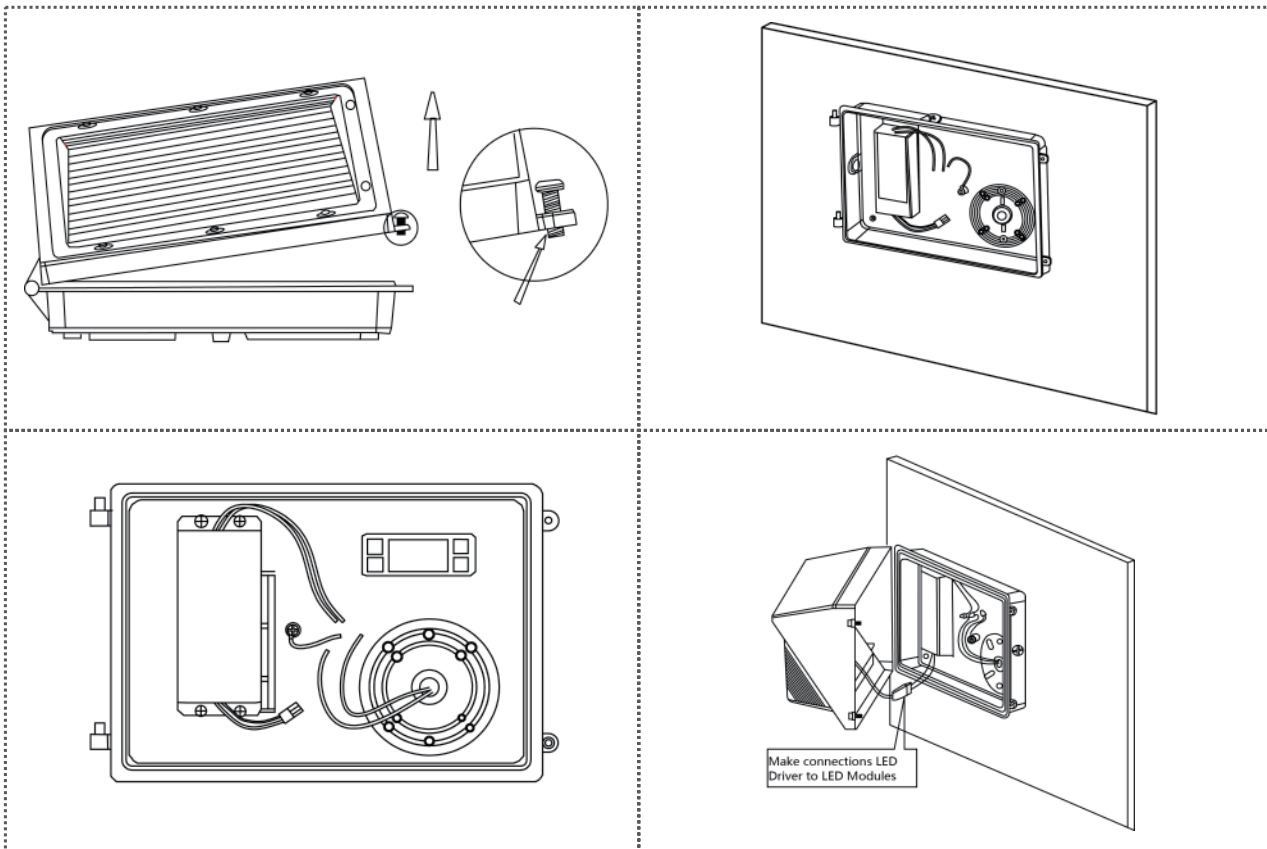




CAUTIONS

READ AND FOLLOW ALL SAFETY INSTRUCTIONS

1. DANGER- Risk of shock- Disconnect power before installation.
2. This luminaire must be installed in accordance with the NEC or your localelectrical code.
3. Suitable for wet location and operation in ambient not exceeding 40°C
4. Min 75°C supply conductors.
5. Products are not intended for use in environments containing airborne corrosive airborne corrosiveagents such as chemical solvents, cleaners, or cutting fluids.
6. This luminaire is rated for 120- 347Vac 50/60Hz only.
7. Replace the Lens if damaged



1. Remove the lens by removing the 2 screws securing it to the rear housing and set aside.
2. Knock out appropriate holes around outlet hole in rear housing and apply the gasket to the back surface of housing and fastenthe rear housing to the outlet box using the screws supplied with the outlet box.
3. Complete the wiring to the power source and ground, Using customer supplied 90°C minimum rated wire connectors, make the following electrical connections in the mounting box or junction box:
 - a. Connect the black fixture lead to the voltage supply lead
 - b. Connect the white fixture lead to the neutral supply lead
 - c. Connect the ground lead to the supply ground lead.
4. To ensure rain tight seal, apply silicone caulking around back edges of fixture, make connections LED Driver to LED modules Replace front housing by reversing procedure used to remove it.