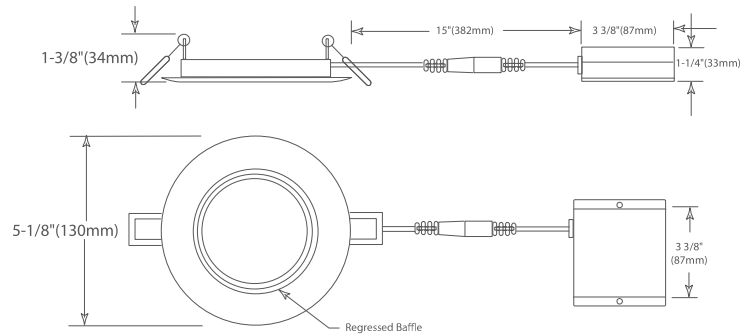




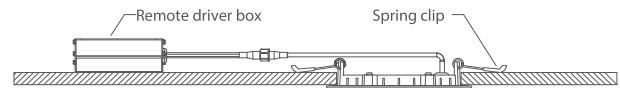
Baffle Trim Design

## Dimension



## Installation

Cut Hole Size  
Ø4 1/4" (108mm)



## Features

- \* Regressed lens and Baffle Trim Design
- \* Edge-lit technology, no glare or dark spots, instant-on
- \* Pre-Select 5CCT 2700K, 3000K, 3500K, 4000K, 5000K
- \* 80CRI
- \* No existing recessed housing or junction box required
- \* Fixture will not fit into existing housing or junction boxes
- \* Suitable for WET LOCATION
- \* IC rated for direct contact with insulation
- \* 10%-100% dimming capability, this fixture is compatible with industry standard TRIAC/ELV dimmers
- \* Rated for a long life - 50,000 hrs

SPECIFICATIONS	FDLED-4-B9W-5CCT-WH	FDLED-4-B12W-5CCT-WH
Lumens	670lm	700lm
Watts	9W	12W
Efficiency	70.5m/w	58.3lm/w
CRI	80	
CCT	Pre-Select 5CCT - 2700K, 3000K, 3500K, 4000K, 5000K	
Input Volts & Frequency	120V 60Hz	
Power Factor	>0.9	
Operating Temp.	(-4°F~104 °F) -20~40°C	
Beam Angle	120°	
Dimming	YES	

## Accessories

### Extension Cable



- 4" Flexible Connector, For use with Slim LED Fixtures
- 6" Flexible Connector, For use with Slim LED Fixtures
- 10" Flexible Connector, For use with Slim LED Fixtures
- 20" Flexible Connector, For use with Slim LED Fixtures

### Goof Ring



4" Goof Ring, For use with Slim LED Fixtures

### Mounting Plate



a 4" new construction pre-mounting plate opening Ø4-1/4" (108mm)



a 3 3/4" x 6" new construction pre-mounting plate opening Ø3" (75mm), Ø4-3/8" (110mm), Ø6-1/4" (160mm)



a 4" new construction pre-mounting plate with collar for use with screw down "C" style remodel housings opening Ø4-3/8" (110mm)