

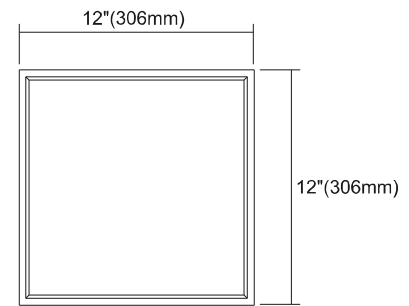
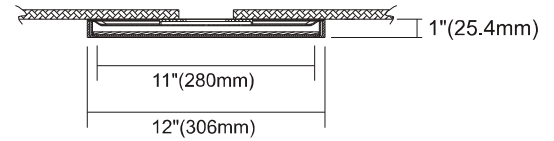
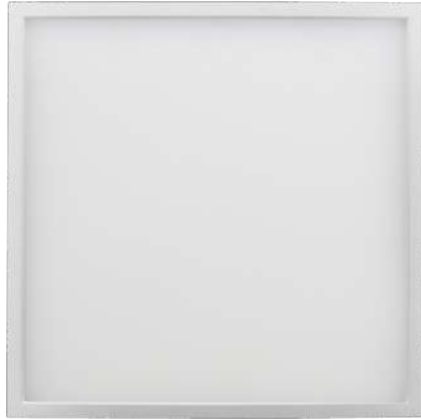
12" Square LED Flush Mount



FDFM-22W-LED-3K-120V-D-SQ

Ref. 101037

Surface mount downlighting



TRIM OPTIONS

White

Features

- Apertures: Square
- CRI: 80
- Glare controlling lens for comfortable light distribution
- This 1" thick luminaire is easy to install on standard j-boxes with a quick snap



Dimmable



Die-cast Aluminum



Lumen Output



Color Rendering Index

Benefits

- The thinnest available solution with an integral driver
- Solves the problem of limited plenum space
- Easy to install on standard j-boxes with a quick snap
- Provides an affordable alternative to Air-Seal IC recessed housings or Fire-Rated boxes
- Wet location listing allows for use in showers and bathrooms (if local code requires)
- Edge-lit technology (flex strip LEDs) will give even illumination with no dark spots and shadows

Warranty

- 5-year limited system warranty standard

Applications

SlimSurface LED Downlight is characterized by a completely flat lens with a narrow flange, giving it an architecturally pleasing look. This downlighting solution offers an affordable alternative to Air-Seal IC recessed housings or Fire-Rated boxes, reducing material and installation costs.



Specification

Model	Series	Input Voltage	Wattage	Lumen Output	Luminous Efficacy	CRI	Listed	Projected Life	CCT'S
FDFM-22W-LED-3K-120V-D-SQ	Square	120V	22W	1450 Lm	66Lm/w	80	Damp/ Wet	50,000 hrs	3000K, 4000K, 5000K