



Pre-Select 5 CCT 3.5" Trimless LED Downlight



SPECIFICATIONS	
Model	FDTL-LED-3.5-12W-5CCT-WH/FDTL-LED-3.5-12W-5CCT-BK
Watts	12W
CRI	80Ra+
Color Temperature(K)	Pre-Select 5 CCT 2700K/3000K/3500K/4000K/5000K
Light Output(lm)	800lm
Default Driver Input	AC120V, 60Hz
Dimming	Triac Dimming 10% - 100%
Power Factor	>0.95
Approved Location	Wet Location
Air Tight	Yes
Operating Temp.	(-4°F~104°F) -20~40°C
Beam Angle	38°

Trim Finish Options

- BLACK
- WHITE

Description

3.5" Trimless LED Downlight, 12 watts

Features

- * Durable airtight aluminum body
- * Type IC, Air-Tight & Wet - No Housing Required
- * Flangeless installation, provide a more high end looking
- * No housing required, easy and fast installation
- * 10%-100% dimming capability. This fixture is compatible with industry standard forward-phase / reverse-phase and TRIAC/ELV dimmers
- * Rated for long life - over 50,000 hours

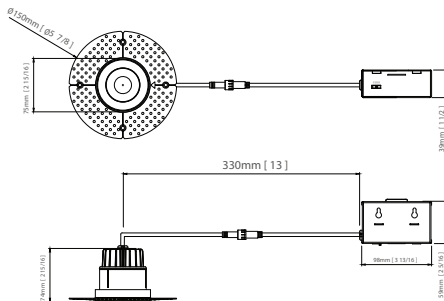
PACKAGE	
Weight(g)	512g
Qty/CTN (pcs)	18 pcs/CTN
Box Dimension	510(L) x 335(W) x 275(H) mm
Gross Weight	11.52 kg/CTN



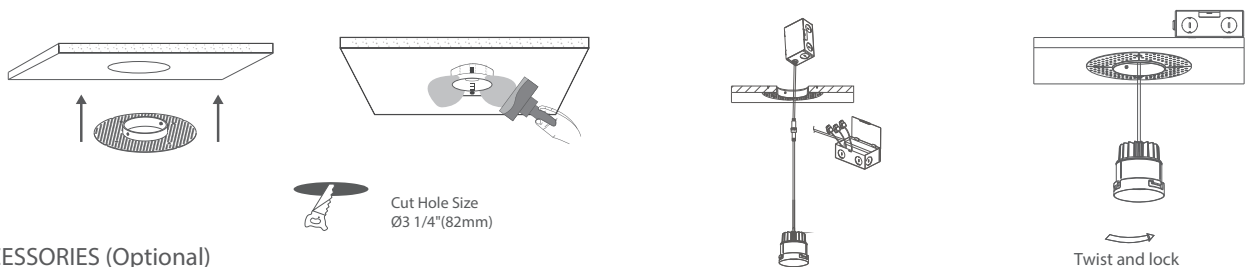
INCLUDED IN BOX

- 3.5" 12W Round LED Trimless Downlight with Driver
- 4 Screws

DIMENSIONS



INSTALLATION



ACCESSORIES (Optional)

Mounting Plates



3.5" new construction pre-mounting plate opening Ø3 1/2" (90mm)



3-3/4" new construction pre-mounting plate opening Ø3-3/4" (95mm)



2-7/8"/3-5/8" new construction pre-mounting plate opening Ø2-1/8" (54mm), Ø2-7/8" (72mm), Ø3-3/4" (95mm), Ø5-1/4" (132mm)

Flexible Connector



4ft/ 6ft/ 10ft/ 20ft flexible connector