

2" Recessed Downlight



Trim Finish Options

- BLACK
- WHITE

Description

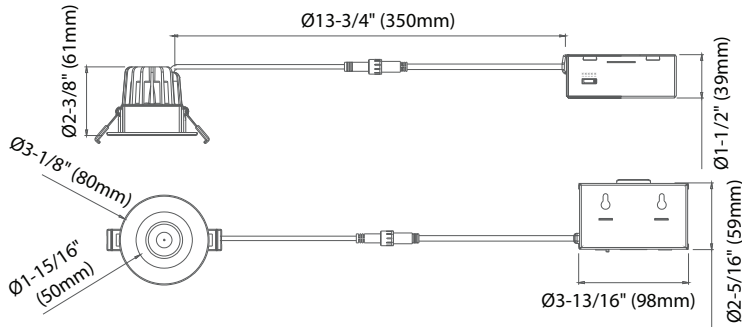
2" Round LED Recessed Downlight, Pre-Select 5CCT

Features

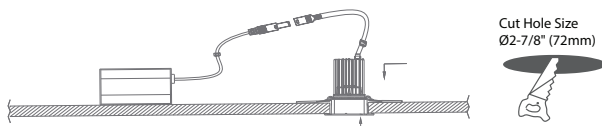
- * IC Rated, Air-Tight & Wet Location - No Housing Required
- * Fast Installation & No Junction Box Needed
- * Includes two spring loaded clips to attach to any ceiling material.
- * 10%-100% dimming capability. This fixture is compatible with industry standard forward-phase / reverse-phase and TRIAC/ELV dimmers
- * Rated for long life - over 50,000 hours



DIMENSIONS

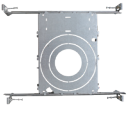


INSTALLATION



OPTIONAL ACCESSORIES


Mounting Plate



FD-UNMP (SKU#101078)

Universal Mounting Plate, compatible with 2\", 3\", 3.5\", 4\" Light Panel and Downlights

Extension Cables



10ft flexible connector, for use with Gimbal/ Recessed / slim LED fixtures

20ft flexible connector, for use with Gimbal/ Recessed / slim LED fixtures

SPECIFICATIONS	
Model	FDRD-2-8W-5CCT-120V-WH-R FDRD-2-8W-5CCT-120V-BK-R
Watts	8W
CRI	90Ra+
Color Temperature(K)	Pre-Select 5CCT 2700K/3000K/3500K/4000K/5000K
Light Output(lm)	600lm
Default Driver Input	AC120V, 60Hz
Dimming	Triac Dimming 10-100%
Power Factor	>0.9
Wet Location	Yes
Air Tight / IC Rated	Yes
Operating Temp.	(-4°F~104°F) -20~40°C
Beam Angle	90°

PACKAGE	
Qty/CTN (pcs)	18pcs/CTN

INCLUDED IN BOX

- 2" Recessed Downlight and Remote Driver

